

fiorentini

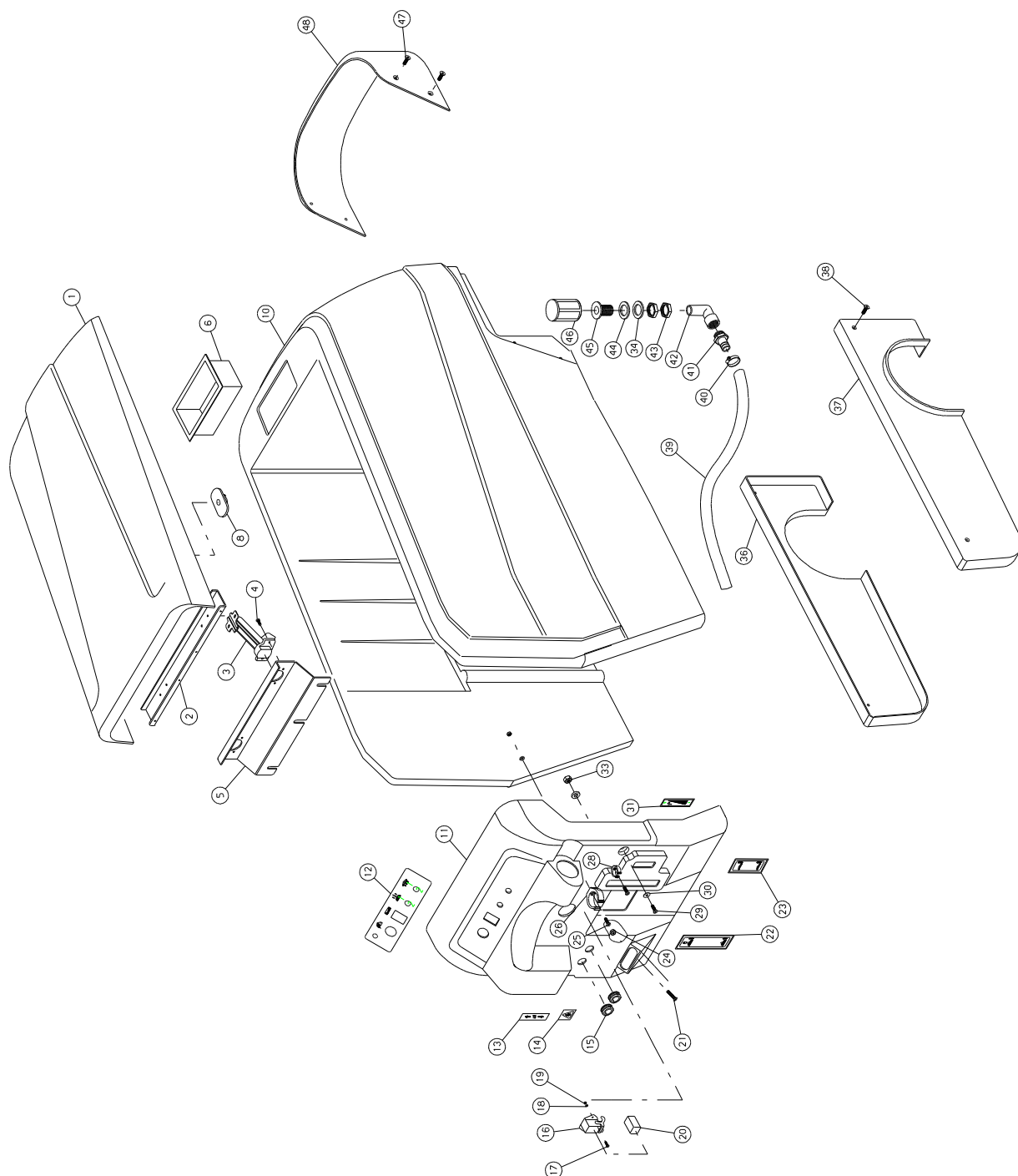


I21-I26 NEW

PARTI DI RICAMBIO
SPARE PARTS
PIECES DETACHEES
ERSATZTEILE

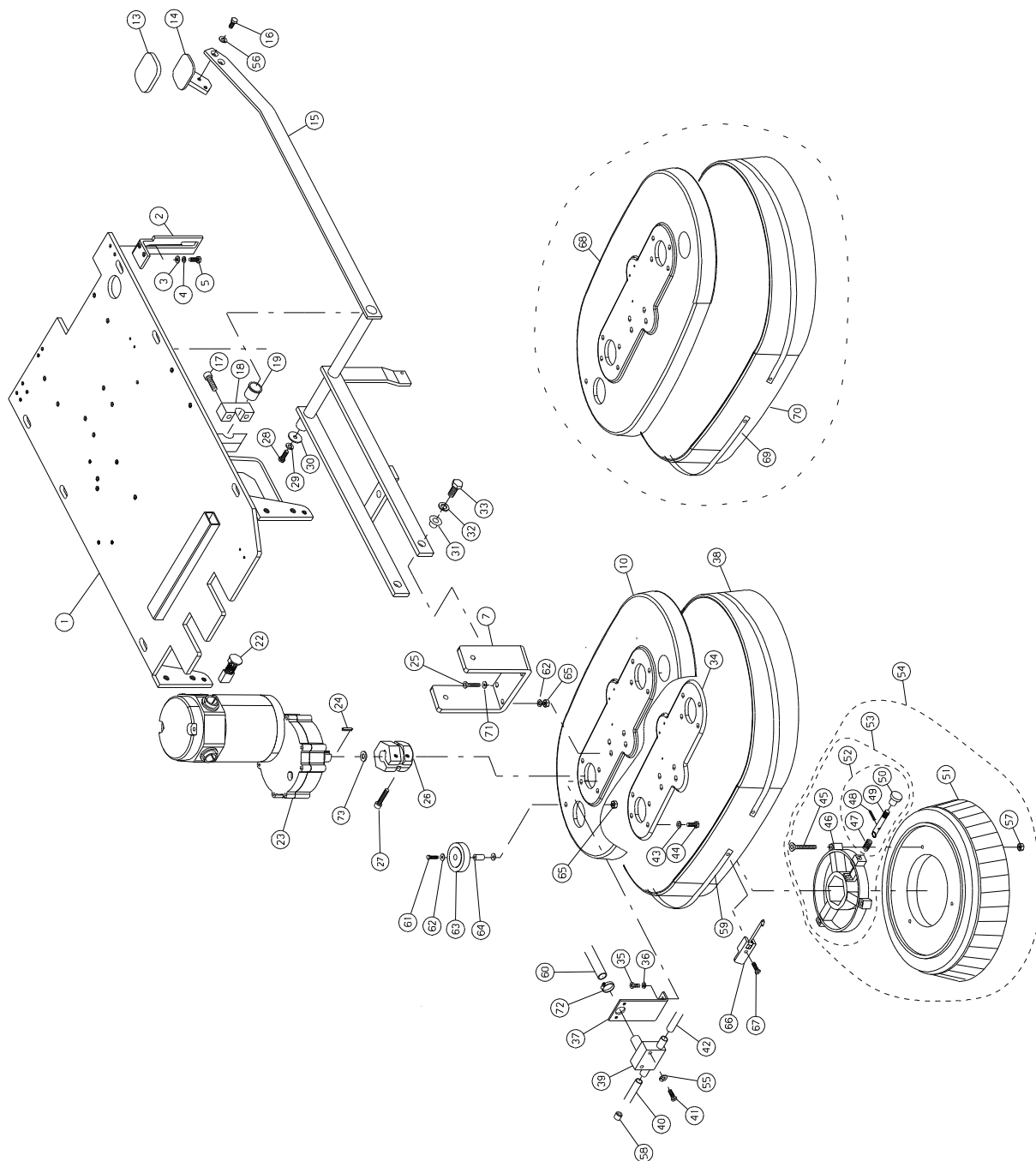


**ING. O. FIORENTINI
INDUSTRIAL CLEANING MACHINE**

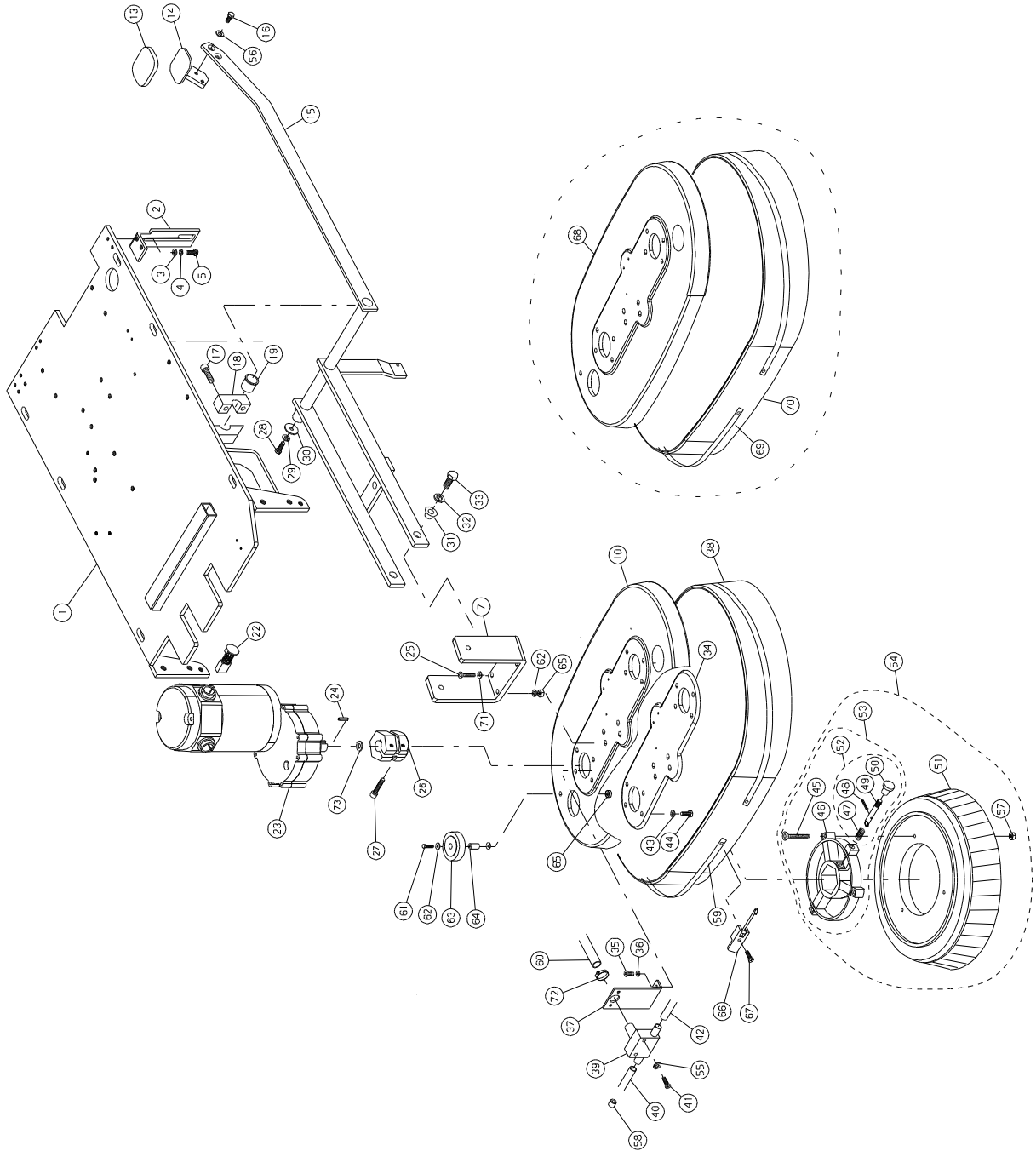




| N.Position | Code Num | Qta | Descrizione | Description | Description | Bezeichnung |
|------------|----------|-----|-------------------------------------|-----------------------|------------------|-----------------------|
| 32N.01.001 | CO138G | 1 | COFANO VANO BATT.I21/26 GRI | BATTERY COVER | COUVERCLE | DECKEL |
| 32N.01.002 | LM336 | 1 | LAMIERA ATTACCO CERNIERE COFANO ANT | SHEET | TOLE | BLECH |
| 32N.01.003 | MI043 | 2 | CERNIERA SOLL.SERB.+BASETTA | LIFT. HINGE | CHARNIERE | SCHARNIER |
| 32N.01.004 | VC403 | 8 | VITE CILIN.CROCE M4x12 UNI 7687 INO | SCREW | VIS | SCHRAUBE |
| 32N.01.005 | LM335 | 1 | LAMIERA SUPPORTO COFANO ANTERIORE | SHEET | TOLE | BLECH |
| 32N.01.006 | FT055 | 1 | FILTRO PER SERBATOIO | TANK FILTER | FILTRE | FILTER |
| 32N.01.008 | SU511 | 1 | CARTER SUPPORTO VITE | PLAQUE | PLAQUE | PLATTCHEN |
| 32N.01.010 | SB078 | 1 | SERBATOIO SOLUZIONE I21-26 -BIANCO- | SOLUTION TANK | RESERVOIR | BEHAELTER |
| 32N.01.011 | PL031G | 1 | CARTER PLAN.COM.GRIGIA | PLAQUE | PLAQUE | PLATTCHEN |
| 32N.01.012 | TG092 | 1 | TARGHETTA PLANCIA COMANDI | DASH BOARD STICKER | ETIQUETTE | INSTRUMENTENBRETTSCHE |
| 32N.01.013 | TG043 | 1 | TARGHETTA MARCIA AVANTI-INDIETRO | PLATE | PLAQUE | GEFAHRSSCHILD |
| 32N.01.014 | TG042 | 1 | TARGHETTA INTERRUPTORE EMERGENZA | PLATE | PLAQUE | SCHILD |
| 32N.01.015 | PY240 | 2 | PASSACAVO TELAIO MEDIO | FAIRLEAD | PASSE-CABLE | KABELDURCHGANG |
| 32N.01.016 | PY701 | 1 | CUSTODIA PER SPINA FEMMINA 90° | RUBBER TOP CASE | CAOUTCHOUC | REIFEN |
| 32N.01.017 | VC302 | 2 | VITE CILIN. TAGLIO M3x20 UNI 7689- | SCREW M3x20 | VIS | SCHRAUBE |
| 32N.01.018 | RO306 | 2 | RONDELLA SLARGATA 3x10 | INOX WASHER | RONDELLE | SCHEIBE |
| 32N.01.019 | DD250 | 2 | DADO AUTOBLOCCANTE M3 | SELF-LOCKING NUT | ECROU DE SURETE | MUTTER |
| 32N.01.020 | PY527 | 1 | CONNETTORE FEMMINA 4 POLI | CONNECTOR | CONNECTEUR | STECKER |
| 32N.01.021 | VC416 | 2 | VITE CILIN.CROCE M5x30 UNI 7687 IN | SCREW | VIS | SCHRAUBE |
| 32N.01.022 | TG044 | 1 | TARGHETTA ALZA-ABBASSA SPAZZOLE | PLATE | PLAQUE | GEFAHRSSCHILD |
| 32N.01.023 | TG045 | 1 | TARGHETTA ALZA-ABBASSA SQUEEGEE | PLATE | PLAQUE | GEFAHRSSCHILD |
| 32N.01.024 | DD452 | 2 | DADO AUTOBLOCCANTE M5 INOX | INOX SELF-LOCKING NUT | ECROU DE SURETE | SICHERUNGSMUTTER |
| 32N.01.025 | VC413 | 2 | VITE CILIN.CROCE M5x16 UNI 7687 INO | SCREW | VIS | ZYLINDERSCHRAUBE |
| 32N.01.026 | ML022 | 1 | MOLLA PER TUBO FLEX | SPRING | RESSORT | FEDER |
| 32N.01.028 | ML120 | 1 | MOLLA TUBO SCARICO SOLUZIONE | SPRING | RESSORT | FEDER |
| 32N.01.029 | VS414 | 2 | VITE SVASATA TC M5x16 UNI7688 INOX | SCREW | VIS | SENKSSCHRAUBE |
| 32N.01.030 | RO500 | 4 | RONDELLA SLARG.D.5X15 UNI6592/69 IN | INOX WASHER | RONDELLE | SCHEIBE |
| 32N.01.031 | TG041 | 1 | TARGHETTA RUBINETTO SOLUZIONE | PLATE | PLAQUE | HEBELSCHILD |
| 32N.01.033 | DD252 | 2 | DADO AUTOBLOCCANTE M5 | SELF-LOCKING NUT M5 | ECROU DE SURETE | SICHERUNGSMUTTER |
| 32N.01.034 | RO420 | 1 | RONDELLA NORM.DIAM. 20 UNI 6592/69 | INOX WASHER | RONDELLE | SCHEIBE |
| 32N.01.036 | PA167 | 1 | MINIGON.LAT. SX BLU - | BUMPER | GARDE-BOUE | PUFFER |
| 32N.01.037 | PA166 | 1 | MINIGON.LAT.DX. BLU - | BUMPER | GARDE-BOUE | PUFFER |
| 32N.01.038 | VS413 | 4 | VITE SVASATA TC M5x12 UNI 7688 INOX | SCREW | VIS | SENKSSCHRAUBE |
| 32N.01.039 | TB132 | 1 | TUBO TELATO D.13 L=280 | PIPE | TUYAU | ROHR |
| 32N.01.040 | FS033 | 1 | FASCETTA INOX 16x25 | CLAMP | BANDE | SHELLE |
| 32N.01.041 | RC051 | 1 | RACCORDO 1/2 MASCHIO P/GOMMA | UNION | RACCORD | ANSCHLUSS |
| 32N.01.042 | RC072 | 1 | RACCORDO F/F 90 1/2" | UNION | RACCORD | VERBINDUNG |
| 32N.01.043 | GH023 | 2 | GHIERA RUBINETTO SOLUZIONE 1/2" | RING NUT | EMBOUT | LOESUNGHAHNSRING |
| 32N.01.044 | RO5002 | 1 | RONDELLA RAME 1/2 | WASHER | RONDELLE | SCHEIBE |
| 32N.01.045 | RC091 | 1 | RACCORDO SCARICO SERBATOIO SOLUZION | UNION | RACCORD | ANSCHLUSS |
| 32N.01.046 | FT029 | 1 | FILTRO SERB.(DI PESCA D.25) | FILTER | FILTRE | FILTER |
| 32N.01.047 | VS424 | 4 | VITE SVASATA TC M 6x20 UNI 7688 INO | SCREW | VIS | SCHRAUBE |
| 32N.01.048 | CA100 | 1 | CARTER SUPER.SPAZ.I21/26 BLU | BRUSH CASE | COUVERCLE BROSSE | BUERSTENGEHAEUSE |



| N.Position | C.N. | Qta | Descrizione | Description | Description | Bezeichnung |
|------------|---------|-----|-------------------------------------|-----------------------|-----------------------|-----------------------|
| NEW.02.001 | TP088 | 1 | TELAIO BASE | BASE FRAME | CHASSIS | UNTERLAGERARMEN |
| NEW.02.002 | ST055 | 1 | STAFFA A L GUIDA LEVA SOLL.SPAZZOLE | BRACKET | SUPPORT | BUEGEL |
| NEW.02.003 | RO403 | 2 | RONDELLA NORM.DIAM. 6 UNI 6592/69 I | INOX WASHER | RONDELLE | SCHEIBE |
| NEW.02.004 | RO454 | 2 | RONDELLA SPACCATA DIAM. 6 UNI 1751 | INOX WASHER | RONDELLE | SCHEIBE |
| NEW.02.005 | VE443 | 2 | VITE ESAGONALE M6x16 UNI 5737/77 IN | SCREW | VIS | SECHSECKIGE SCHRAUBE |
| NEW.02.010 | SB182 | 1 | PIATTO I26 IN ROTAZIONALE | BRUSH SHEET | PLATEAU BROSSES | FLACH |
| NEW.02.013 | IS001 | 1 | RIVESTIMENTO PEDALE (grande) | PEDAL COVER | REVETEMENT | PEDALSVERKLEIDUNG |
| NEW.02.014 | LM175 | 1 | PEDALE LEVA SOLL. PIATTO E SQUEEGEE | LIFT.LEVER PEDAL | PEDALE | HEBELSPEDAL |
| NEW.02.015 | LV167 | 1 | LEVA SOLLEVAMENTO SPAZZOLE | BRUSH LIFT. LEVER | LEVIER | HEBEL |
| NEW.02.016 | VE443 | 2 | VITE ESAGONALE M6x16 UNI 5737/77 IN | SCREW | VIS | SECHSECKIGE SCHRAUBE |
| NEW.02.017 | VB434 | 4 | VITE CIL.BRUGOLA M8x25 UNI5931 INOX | SCREW | VIS | ZYLINDERSCHRAUBE |
| NEW.02.018 | SU069 | 2 | SUPPORTO LEVERISMI SVAS.(FUS.) | SUPPORT | SUPPORT | HEBELSYSTEMSTUETZE |
| NEW.02.019 | BN003 | 2 | BOCCOLA NYRELAN DIAM.mm. 19,05 | NYRELAN BUSH D19,05mm | DOUILLE | BUCHSE |
| NEW.02.022 | MP084 | 8 | SPAZZOLA MOTORE 9x19 Lg=28 ELETTROG | BRUSH | CHARBON | KOHLLE |
| NEW.02.023 | MO277 | 2 | MOTORIDUTTORE 36/24V 500/375W CON M | GEAR MOTOR | MOTOREDUCTEUR | REDUZIERER |
| NEW.02.024 | CH030 | 2 | LINGUETTA 6,3x6,3x20 FORMA A | TONGUE 6,2x25 | CLAVETTE | PASDFEDER |
| NEW.02.025 | VE464 | 4 | VITE ESAGONALE M8x35 UNI 5737/77 IN | SCREW | VIS | SECHSECKIGE SCHRAUBE |
| NEW.02.026 | AL012 | 2 | ALBERO SPAZZOLE ESAGONALE | HEX. BRUSHES SHAFT | ARBRE BROSSSE | SECHSWINKLIGE BUERSTE |
| NEW.02.027 | VB419 | 4 | VITE CIL.BRUGOLA M6x20 UNI5931-77 I | SCREW | VIS | ZYLINDERSCHRAUBE |
| NEW.02.028 | VE441 | 1 | VITE ESAGONALE M6x10 UNI 5737/77 IN | SCREW | VIS | SCHRAUBE |
| NEW.02.029 | RO454 | 1 | RONDELLA SPACCATA DIAM. 6 UNI 1751 | INOX WASHER | RONDELLE | SCHEIBE |
| NEW.02.030 | RO503 | 1 | ROSETTA SLARGATA D6x24 UNI6592/69 I | INOX WASHER | RONDELLE | SCHEIBE |
| NEW.02.031 | BO009 | 2 | BOCCOLA LEVE SOLLEVAMENTO GRUPPO SP | BRUSH LIF.LEVER BUSH | DOUILLE | BUCHSE |
| NEW.02.032 | RO456 | 2 | ROSETTA SPACCATA D.10 UNI 1751 INOX | INOX WASHER | RONDELLE | SCHEIBE |
| NEW.02.033 | VE492 | 2 | VITE ESAGONALE M10x25 UNI 5737/77 I | SCREW | VIS | SCHRAUBE |
| NEW.02.034 | PT277 | 1 | PIASTRA SUPPORTO PIATTO ROTAZIONALE | PALTE | PLAQUE SUPPORT | TELLER |
| NEW.02.035 | VE441 | 2 | VITE ESAGONALE M6x10 UNI 5737/77 IN | SCREW | VIS | SCHRAUBE |
| NEW.02.036 | RO454 | 2 | RONDELLA SPACCATA DIAM. 6 UNI 1751 | INOX WASHER | RONDELLE | SCHEIBE |
| NEW.02.037 | ST013 | 1 | STAFFA DISTRIBUTORE | DISTRIBUTOR BRACKET | SUPPORT | BUEGEL |
| NEW.02.038 | BP275 | 1 | BUMPER PROTEZIONE SPAZZOLE | BRUSH PROTECTION | PROTECTION BROSSES | BUERSTENSTOSSFAENGER |
| NEW.02.039 | TB108 | 1 | DISTRIBUTORE SOLUZIONE | DISTRIBUTOR | DISTRIBUTEUR | LOESUNGSGEBER |
| NEW.02.040 | TB050 | 1 | TUBO SOLUZIONE SPAZZOLE D.10 L.150 | PIPE | TUYAU | ROHR |
| NEW.02.041 | VC416 | 2 | VITE CILIN.CROCE M5x30 UNI 7687 IN | SCREW | VIS | SCHRAUBE |
| NEW.02.042 | TB072 | 1 | TUBO SOLUZIONE D.10 L=260 | PIPE | TUYAU | ROHR |
| NEW.02.043 | RO456 | 8 | ROSETTA SPACCATA D.10 UNI 1751 INOX | INOX WASHER | RONDELLE | SCHEIBE |
| NEW.02.044 | WE261 | 8 | VITE A TESTA ESAGONALE 3/8"x1" | SCREW | VIS | SECHSECKIGE SCHRAUBE |
| NEW.02.045 | VS416 | 6 | VITE SVASATA TC M5X30 UNI 7688 INOX | SCREW | VIS | SCHRAUBE |
| NEW.02.046 | FL004 | 2 | FLANGIA ATTACCO SPAZZOLA ESAGONALE | HEX.BRUSH CONN.FLANGE | FLASQUE | ANSATZFLANSCH |
| NEW.02.047 | ML042 | 2 | MOLLA D= 1 INOX SALTEREL. ATT.SPAZZ | SPRING | RESSORT | FEDER |
| NEW.02.048 | SP002 | 2 | SPINA ELASTICA 3x20 UNI 6874/71 | TENSION PIN | CONNECTEUR | SPANNSTIFT |
| NEW.02.049 | PE064 | 2 | PERNO ATTACCO SPAZZOLA | BRUSH CONNECTION PIN | PIVOT | BOLZEN |
| NEW.02.050 | GH008 | 2 | GHIERA ATTACCO SPAZZOLA | BRUSH CONN. RING NUT | EMBOUT | GITTER |
| NEW.02.051 | SZ014 | 2 | SPAZZOLA NYLON 13" 330x126 | 13" NYLON BRUSH | BROSSE NYLON 13" | NYLON- STAHLBUERSTE |
| NEW.02.051 | SZ014A | 2 | SPAZZOLA ACCIAIO 13" 330x126 | BRUSH | BROSSE | STAHLBUERSTE |
| NEW.02.051 | SZ014B | 2 | SPAZZOLA BASSINE 13" 330x126 | BRUSH | BROSSE | BUERSTE |
| NEW.02.051 | SZ014C | 2 | SPAZZOLA CARBONIO 13" 330x126 | BRUSH | BROSSE CHARBON 13" | BUERSTE |
| NEW.02.051 | SZ014Y | 2 | SPAZZOLA NYLON ACCIAIO 13" 330x126 | NYLON/STEEL BRUSH 13" | BROSSE | NYLON- STAHLBUERSTE |
| NEW.02.051 | TS010 | 2 | DISCO TRASCINATORE 13" 330x126 | PAD HOLDERS 13" | DISQUE ENTRAINEUR 13" | MITNEHMERSCHEIBE |
| NEW.02.052 | KIT145 | 2 | ASS.BLOCCA SNODO SPAZZ.*FANT* | BRUSH JOINT RELEASE A | ASS.BLOC.JOINT | GELENKSPERREZUSAMM. |
| NEW.02.053 | KIT161 | 2 | ATTAC.SPAZ.ESAG.*FANT* | HEX.BRUSH CONNECTION | CONNEX.BROSSE | BUERSTENANSCHLUSS |
| NEW.02.054 | KIT236 | 2 | ASS.SPAZZ. NYLON 13" 330x126 *FANT* | NYLON BRUSH ASSY 13" | ASS.BROSSE | BUERSTENZUSAMMENBAU |
| NEW.02.054 | KIT236A | 2 | ASS.SPAZZ. ACCIAIO 13" 330x126 *FAN | STEEL BRUSH ASSY 13" | ASS.BROSSE | BUERSTENZUSAMMENBAU |
| NEW.02.054 | KIT236B | 2 | ASS.SPAZZ. BASSINE 13" 330x126 *FAN | BASSINE BRUSH ASSY | ASS.BROSSE | BUERSTENZUSAMMENBAU |
| NEW.02.054 | KIT236C | 2 | ASS.SPAZZ.CARBONIO 13" 330x126*FANT | CARBON BRUSH ASSY 13" | ASS.BROSSE TYNEX 13" | BUERSTENZUSAMMENBAU |
| NEW.02.054 | KIT236Y | 2 | ASS.SPAZZ.NYLON ACC.13" 330x126 *FA | NY/STEEL BRUSH ASSY | ASS.BROSSE | BUERSTENZUSAMMENBAU |
| NEW.02.054 | KIT237 | 2 | ASS.DISCO TRASC. 13" 330x126 *FANT* | DRIVING PAD ASSY 13" | PLATEAU SUPPORT PAD 1 | SCHIEBENZUSAMMENBAU |
| NEW.02.055 | RO453 | 2 | ROSETTA SPACCATA D.5 UNI 1751 INOX | INOX WASHER | RONDELLE | SCHEIBE |
| NEW.02.056 | RO454 | 2 | RONDELLA SPACCATA DIAM. 6 UNI 1751 | INOX WASHER | RONDELLE | SCHEIBE |
| NEW.02.057 | DD452 | 6 | DADO AUTOBLOCCANTE M5 INOX | INOX SELF-LOCKING NUT | ECROU DE SURETE | SICHERUNGSMUTTER |
| NEW.02.058 | DT055 | 2 | DISTANZIALE IN PLASTICA | PLASTIC SPACER | ENTRETOISE | ABSTANDSTUECK |
| NEW.02.059 | LM521 | 1 | LISTELLO FISSAGGIO BUMPER I26NEW | LISTEL | LISTEL | LEISTE |
| NEW.02.060 | TU077 | 1 | TUBO CON LAMINA IN ACCIAIO D=14 L=6 | STEEL PIPE | TUYAU | ROHR |

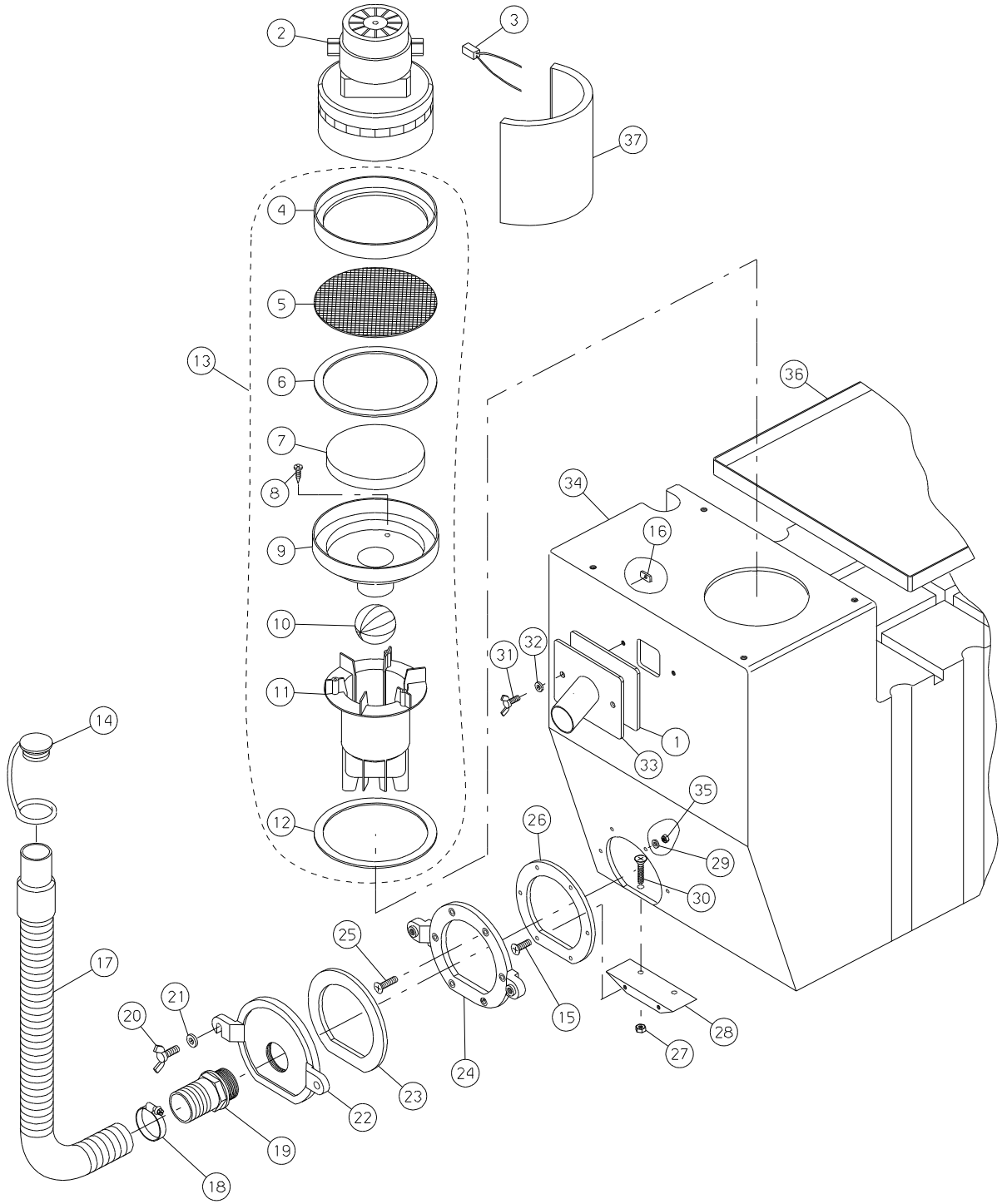




| N.Position | C.N. | Qta | Descrizione | Description | Description | Bezeichnung |
|------------|-------|-----|-------------------------------------|-----------------------|---------------------|----------------------|
| NEW.02.061 | VE467 | 1 | VITE ESAGONALE M8x50 UNI5737/77 INO | HEXAGONAL SCREW | VIS | SECHSECKIGE SCHRAUBE |
| NEW.02.062 | RO502 | 6 | RONDELLA SLARG. D.8X24 UNI6592/69 I | INOX WASHER | RONDELLE | SCHEIBE |
| NEW.02.063 | RT056 | 1 | RUOTA PARACOLPI 100x19 | SHOCKPROOF WHEEL 100x | ROUE | RAD |
| NEW.02.064 | BO073 | 1 | BOCCOLA RUOTA PARACOLPI | SHOCK ABS. WHEEL BUSH | DOUILLE | BUCHSE |
| NEW.02.065 | DD454 | 5 | DADO AUTOBLOCCANTE M8 INOX | INOX SELF-LOCKING NUT | ECROU DE SURETE | SICHERUNGSMUTTER |
| NEW.02.066 | CC001 | 1 | CHIUSURA A SCATTO | INOX SELF-LOCKING NUT | FERMETURE A RESSORT | FEDERSCHLUSS |
| NEW.02.067 | VC400 | 1 | VITE CILIN.CROCE M3X16 INOX | SCREW | VIS | SCHRAUBE |
| NEW.02.068 | LM488 | 1 | LAMIERA PIATTO SPAZZOLE I26PF-V.ZAO | BRUSH SHEET | PLATEAU BROSSES | LEISTE |
| NEW.02.069 | LM521 | 1 | LISTELLO FISSAGGIO BUMPER I26NEW | LISTEL | LISTEL | LEISTE |
| NEW.02.070 | BP275 | 1 | BUMPER PROTEZIONE SPAZZOLE | BRUSH PROTECTION | PROTECTION BROSSES | BUERSTENSTOSSFAENGER |
| NEW.02.071 | RO404 | 4 | RONDELLA NORMALE DIAM 8 | INOX WASHER | RONDELLE | SCHEIBE |
| NEW.02.072 | RO002 | 1 | FASCETTA 12/22 | CLAMP 12/22 | BANDE | SHELLE |
| NEW.02.073 | DT064 | 2 | DISTANZIALE | SPACER | ENTRETOISE | DISTANZSTUECK |

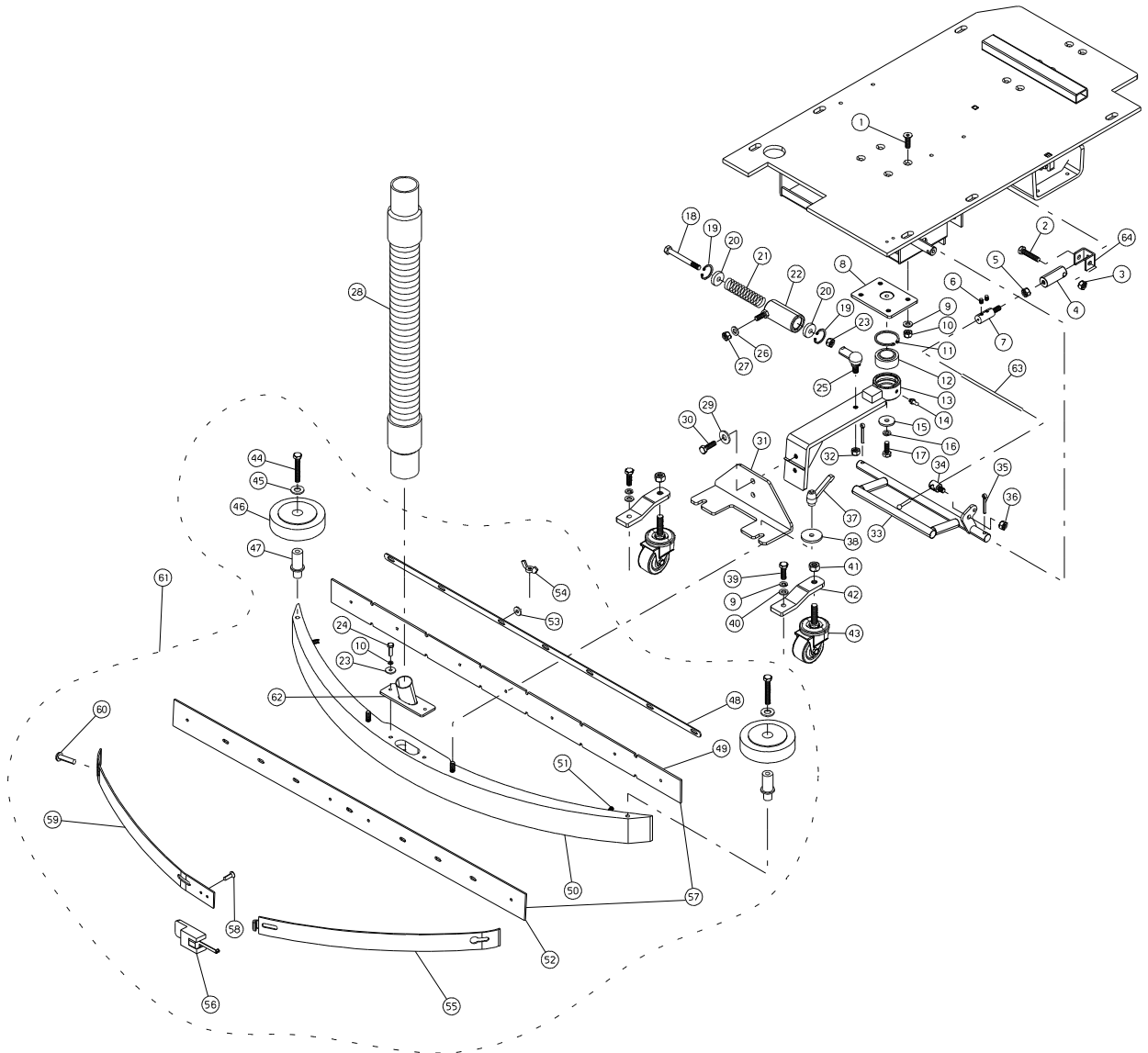
ICM 21

| N.Position | C.N. | Qta | Descrizione | Description | Description | Bezeichnung |
|------------|---------|-----|-------------------------------------|-----------------------|-----------------------|----------------------|
| NEW.02.010 | SB184 | 1 | PIATTO I21 IN ROTAZIONALE | BRUSH SHEET | PLATEAU BROSSES | FLACH |
| NEW.02.034 | PT279 | 1 | PIASTRA SUPPORTO PIATTO ROTAZIONALE | PALTE | PLAQUE SUPPORT | TELLER |
| NEW.02.038 | BP292 | 1 | BUMPER PROTEZIONE SPAZZOLE | BRUSH PROTECTION | PROTECTION BROSSES | BUERSTENSTOSSFAENGER |
| NEW.02.051 | SZ017 | 2 | SPAZZOLA NYLON 10" 330x126 | 13" NYLON BRUSH | BROSSE NYLON 13" | NYLON- STAHLBUERSTE |
| NEW.02.051 | SZ017A | 2 | SPAZZOLA ACCIAIO 10" 330x126 | BRUSH | BROSSE | STAHLBUERSTE |
| NEW.02.051 | SZ017B | 2 | SPAZZOLA BASSINE 10" 330x126 | BRUSH | BROSSE | BUERSTE |
| NEW.02.051 | SZ017C | 2 | SPAZZOLA CARBONIO 10" 330x126 | BRUSH | BROSSE CHARBON 13" | BUERSTE |
| NEW.02.051 | SZ017Y | 2 | SPAZZOLA NYLON ACCIAIO 10" 330x126 | NYLON/STEEL BRUSH 13" | BROSSE | NYLON- STAHLBUERSTE |
| NEW.02.051 | TS014 | 2 | DISCO TRASCINATORE 10" 330x126 | PAD HOLDERS 13" | DISQUE ENTRAINEUR 13" | MITNEHMERSCHEIBE |
| NEW.02.054 | KIT245 | 2 | ASS.SPAZZ. NYLON 10" | NYLON BRUSH ASSY 13" | ASS.BROSSE | BUERSTENZUSAMMENBAU |
| NEW.02.054 | KIT245A | 2 | ASS.SPAZZ. ACCIAIO 10" | STEEL BRUSH ASSY 13" | ASS.BROSSE | BUERSTENZUSAMMENBAU |
| NEW.02.054 | KIT245B | 2 | ASS.SPAZZ. BASSINE 10" | BASSINE BRUSH ASSY | ASS.BROSSE | BUERSTENZUSAMMENBAU |
| NEW.02.054 | KIT245C | 2 | ASS.SPAZZ.CARBONIO 10" | CARBON BRUSH ASSY 13" | ASS.BROSSE TYNEX 13" | BUERSTENZUSAMMENBAU |
| NEW.02.054 | KIT245Y | 2 | ASS.SPAZZ.NYLON ACC.10" | NY/STEEL BRUSH ASSY | ASS.BROSSE | BUERSTENZUSAMMENBAU |
| NEW.02.054 | KIT246 | 2 | ASS.DISCO TRASC. 10" | DRIVING PAD ASSY 13" | PLATEAU SUPPORT PAD 1 | SCHEIBENZUSAMMENBAU |
| NEW.02.059 | LM560 | 1 | LISTELLO FISSAGGIO BUMPER I26NEW | LISTEL | LISTEL | LEISTE |
| NEW.02.068 | LM558 | 1 | LAMIERA PIATTO SPAZZOLE I26PF-V.ZAO | BRUSH SHEET | PLATEAU BROSSES | LEISTE |
| NEW.02.069 | LM559 | 1 | LISTELLO FISSAGGIO BUMPER I21NEW | LISTEL | LISTEL | LEISTE |
| NEW.02.070 | BP291 | 1 | BUMPER PROTEZIONE SPAZZOLE | BRUSH PROTECTION | PROTECTION BROSSES | BUERSTENSTOSSFAENGER |



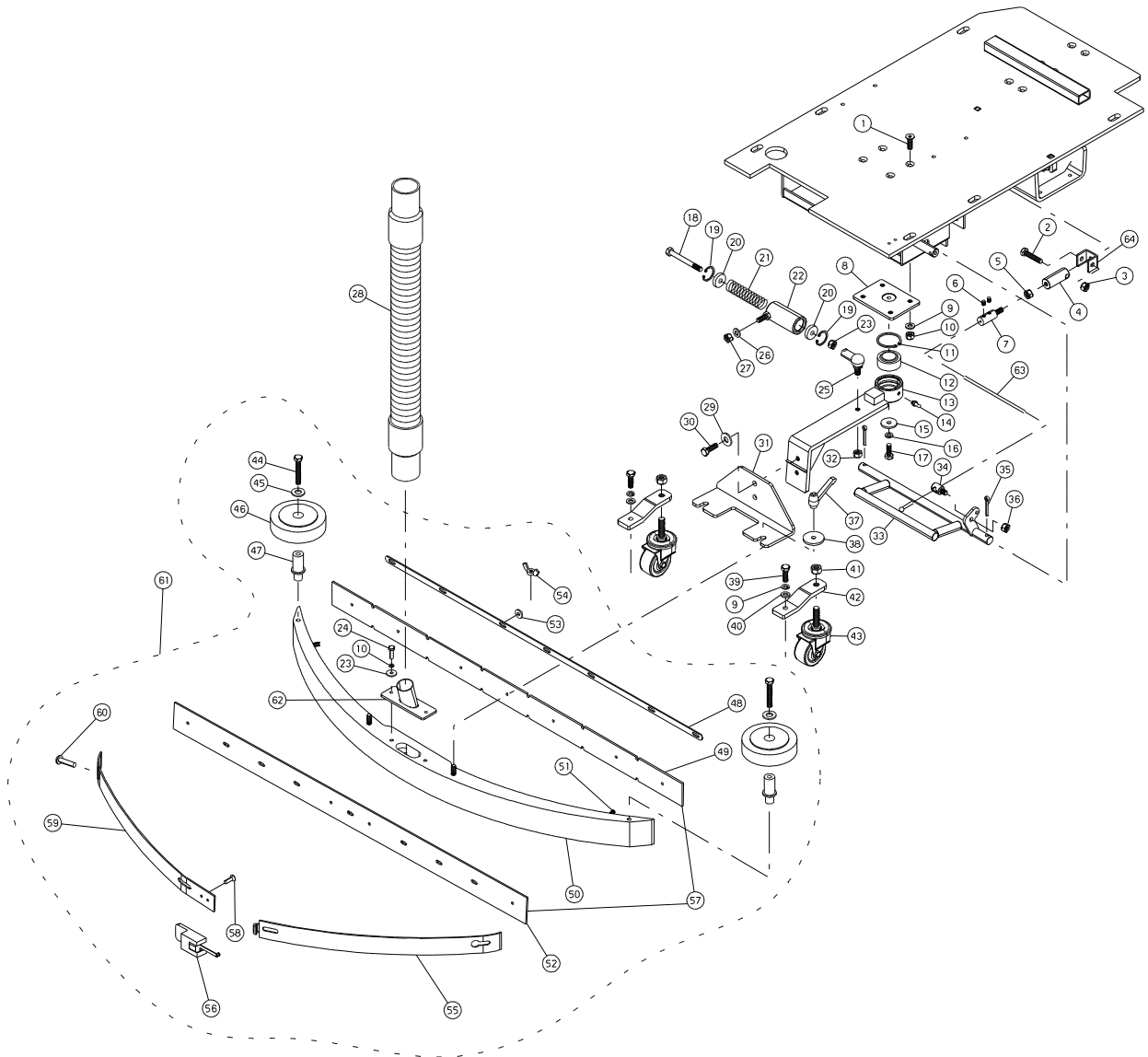


| N.Position | C.N. | Qta | Descrizione | Description | Description | Bezeichnung |
|------------|--------|-----|-------------------------------------|-----------------------|-----------------|----------------------|
| NEW.03.001 | GR115 | 1 | GUARNIZIONE OBLO' SERBATOIO | GASKET | JOINT | TANKSDICHTUNG |
| NEW.03.002 | MO180 | 1 | MOTORE ASPIRAZIONE 24V | 24V BY-PASS VACUUM MO | MOTEUR | SAUGMOTOR 24V |
| NEW.03.003 | MP239 | 2 | CARBONCINO x MOTORE ISKRA 24V MO180 | MOTOR BRUSH | CHARBON | KOHLE |
| NEW.03.004 | GR005 | 1 | GUARNIZIONE A L MOTORE 145x5 | MOTOR GASKET | GARNITURE | L-DICHTUNG |
| NEW.03.005 | RE002 | 1 | RETE GALLEGGIANTE | FLOATING NET | FILET | SCHWIMMERNETZ |
| NEW.03.006 | GR006 | 1 | GUARNIZIONE GALLEGGIANTE | FLOAT GASKET | GARNITURE | SCHWIMMERDICHTUNG |
| NEW.03.007 | FT002 | 1 | FILTRO GALLEGGIANTE | MOTOR FLOAT FILTER | FILTRE | SCHWIMMERFILTER |
| NEW.03.008 | VA403 | 3 | VITE AUTOFIL. TC 4,2x19 UNI 6954/71 | SCREW | VIS | SCHRAUBE MIT GEWINDE |
| NEW.03.009 | GL005 | 1 | FLANGIA GALLEGGIANTE | FLOATING FLANGE | FLOTTEUR | SCHWIMMERFLANSCH |
| NEW.03.010 | GL004 | 1 | SFERA GALLEGGIANTE | FLOATING BALL | FLOTTEUR | SCHWIMMERKUGEL |
| NEW.03.011 | GL006 | 1 | CORPO GALLEGGIANTE | FLOAT BODY | CORPS FLOTTEUR | SCHWIMMERKOERPER |
| NEW.03.012 | GR006 | 1 | GUARNIZIONE GALLEGGIANTE | FLOAT GASKET | GARNITURE | SCHWIMMERDICHTUNG |
| NEW.03.013 | KIT013 | 1 | GALLEGG.COMPL.*FANT* - | COMPLETE FLOAT | FLOTTEUR | SCHWIMMERZUSAMMENBAU |
| NEW.03.014 | TA002 | 1 | TAPPO TUBO SCARICO SERBATOIO RECUPE | PLUG | BOUCHON | DECKEL |
| NEW.03.015 | VS414 | 2 | VITE SVASATA TC M5x16 UNI7688 INOX | SCREW | VIS | SENKSCHRAUBE |
| NEW.03.016 | VI029 | 4 | DADO FERMA VITE M6 | NUT | ECROU | MUTTER |
| NEW.03.017 | TB130 | 1 | TUBO FLEX ANIMA IN ACCIAIO D.40 L=6 | PIPE | TUYAU | ROHR |
| NEW.03.018 | FS011 | 1 | FASCETTA 25/40 INOX 9mm | FLOAT.SUPPORT CLAMP | BANDE | SHELLE |
| NEW.03.019 | RC084 | 1 | RACCORDO P/GOMMA M/M 1"X1/4X38 | UNION | RACCORD | ANSCHLUSS |
| NEW.03.020 | VL411 | 2 | VITE AD ALETTE M8x30 INOX | SCREW | VIS | SCHRAUBE |
| NEW.03.021 | RO502 | 2 | RONDELLA SLARG. D.8X24 UNI6592/69 I | INOX WASHER | RONDELLE | SCHEIBE |
| NEW.03.022 | TA008 | 1 | TAPPO SCARICO SERBATOIO RECUPERO | PLUG | BOUCHON | STOPFEN |
| NEW.03.023 | GR002 | 1 | GUARNIZIONE BOCCHETTONE DI SCARICO | DRAIN UNION GASKET | JOINT | DICHTUNG |
| NEW.03.024 | FL090 | 1 | FLANGIA TAPPO SCARICO SERB. RECUPER | DRAIN PLUG FLANGE | FLASQUE | FLANSCH |
| NEW.03.025 | VS415 | 4 | VITE SVASATA TC M5x25 UNI 7688 INOX | SCREW | VIS | SCHRAUBE |
| NEW.03.026 | GR007 | 1 | GUARNIZIONE BOCCHETT.DI SCAR. CON F | DRAIN UNION GASKET | JOINT | DICHTUNG |
| NEW.03.027 | DD252 | 2 | DADO AUTOBLOCCANTE M5 | INOX SELF-LOCKING NUT | ECROU DE SURETE | SICHERUNGSMUTTER |
| NEW.03.028 | ST041 | 1 | STAFFA ATTACCO FLANGIA SCARICO | BRACKET | SUPPORT | BUEGEL |
| NEW.03.029 | RO500 | 4 | RONDELLA SLARG.D.5X15 UNI6592/69 IN | INOX WASHER | RONDELLE | SCHEIBE |
| NEW.03.030 | VS415 | 2 | VITE SVASATA TC M5x25 UNI 7688 INOX | SCREW | VIS | SCHRAUBE |
| NEW.03.031 | VL401 | 2 | VITE AD ALETTE M6x16 INOX | SCREW | VIS | SCHRAUBE |
| NEW.03.032 | RO501 | 2 | RONDELLA SLARG.D.6X18 UNI6592/69 IN | INOX WASHER | RONDELLE | SCHEIBE |
| NEW.03.033 | SB033 | 1 | BOCCHETTA SERBATOIO RECUPERO | RECOV.TANK MOUTH | SUCEUR | MUND |
| NEW.03.034 | SB097 | 1 | SERBATOIO RECUPERO -BIANCO- | RECOVERY TANK | RESERVOIR | BEHALTER |
| NEW.03.035 | DD403 | 4 | DADO M5 UNI 5588/65 INOX | INOX NUT | ECROU | MUTTER |
| NEW.03.036 | SB100 | 1 | VASCHETTA BATTERIE | BATTERY TRAY | CUVE | BATTERIEWANNE |
| NEW.03.037 | FO035 | 1 | MANICOTTO POLIURETANO 70mm D.106x16 | POLYESTIC MAT. | MAT.POLYESTIC | POLYESTIC |





| N.Position | Code Num | Qta | Descrizione | Description | Description | Bezeichnung |
|------------|----------|-----|---------------------------------------|-----------------------|--------------------|----------------------|
| 32N.04.001 | VV439 | 4 | VITE SVAS.BRUGOLA M8x16 UNI5933/77 | SCREW | VIS | SENKSCHRAUBE |
| 32N.04.002 | VE465 | 1 | VITE ESAGONALE M8x40 UNI 5737-77 INOX | SCREW | VIS | SCHRAUBE |
| 32N.04.003 | DD454 | 1 | DADO AUTOBLOCCANTE M8 INOX | INOX SELF-LOCKING NUT | ECROU DE SURETE | SICHERUNGSMUTTER |
| 32N.04.004 | PE235 | 1 | PERNO PER ATTACCO FILO SOLL. SQUEEG | PIN | PIVOT | BOLZEN MIT FEDER |
| 32N.04.005 | DD405 | 1 | DADO M8 UNI 5588/65 INOX | INOX NUT | ECROU | MUTTER |
| 32N.04.006 | VG020 | 2 | GRANO M6x8 C/PUNTA | DOWEL | GRAIN | DUEBEL MIT SPITZE |
| 32N.04.007 | MI115 | 1 | FERMA CAVO FRENO | WIRE TERMINAL | ETAU | DRAHTKLEMME |
| 32N.04.008 | PT245 | 1 | PIASTRA PER SUPPORTO SQUEEGEE | PLATE | PLAQUETTE | TELLER |
| 32N.04.010 | RO454 | 2 | RONDELLA SPACCATA DIAM. 6 UNI 1751 | INOX WASHER | RONDELLE | SCHEIBE |
| 32N.04.011 | SG065 | 1 | ANELLO SEEGER PER INT.DIAM.42 UNI 7 | SEEGER | SEEGER | SEEGERRING |
| 32N.04.012 | CS034 | 1 | SNODO GE25ES | BEARING | ROULEMENT | LAGER |
| 32N.04.013 | LV332 | 1 | LEVA OSCILLAZIONE SQUEEGEE | LEVER | LEVIER | HEBEL |
| 32N.04.014 | IR001 | 1 | INGRASSATORE C.CHIUS.A SFERA M6 UNI | GREASER | GRAISSEUR | SCHMIERBUCHSE |
| 32N.04.015 | RO516 | 1 | RONDELLA SLARG. D.8x30 UNI6592/69 I | WASHER | RONDELLE | SCHEIBE |
| 32N.04.016 | RO455 | 1 | RONDELLA SPACCATA DIAM. 8 UNI 1751 | INOX WASHER | RONDELLE | SCHEIBE |
| 32N.04.017 | VE461 | 1 | VITE ESAGONALE M8X20 UNI 5737-77 IN | SCREW | VIS | SECHSECKIGE SCHRAUBE |
| 32N.04.018 | VE272 | 1 | VITE ESAGONALE M8x100 UNI 5737/77 | SCREW | VIS | SCHRAUBE |
| 32N.04.019 | SG050 | 2 | ANELLO SEEGER PER INT.DIAM.26 UNI 7 | SEEGER | SEEGER | SEEGERRING |
| 32N.04.020 | VI5010 | 2 | RONDELLA De26 Di8,5 sp 6 | WASHER | RONDELLE | SCHEIBE |
| 32N.04.021 | ML015 | 1 | MOLLA GUIDA SQUEEGEE | GUIDE SPRING | RESSORT | FEDER |
| 32N.04.022 | AM5001 | 1 | AMMORTIZZATORE RITORNO P.P.V. | DAMPER | AMORTISSEUR | DAMPFER |
| 32N.04.023 | RO403 | 2 | RONDELLA NORM.DIAM. 6 UNI 6592/69 I | INOX WASHER | RONDELLE | SCHEIBE |
| 32N.04.024 | VE442 | 2 | VITE ESAGONALE M6x12 UNI 5737/77 INOX | SCREW | VIS | SECHSECKIGE SCHRAUBE |
| 32N.04.025 | MI5022 | 1 | SNODI ORIENTABILI M 6 | BALL JOINT | JOINT A ROTULE | KUGELGELENK |
| 32N.04.026 | RO404 | 1 | RONDELLA NORM.DIAM. 8 UNI 6592/69 I | INOX WASHER | RONDELLE | SCHEIBE |
| 32N.04.027 | DD454 | 1 | DADO AUTOBLOCCANTE M8 INOX | INOX SELF-LOCKING NUT | ECROU DE SURETE | SICHERUNGSMUTTER |
| 32N.04.028 | TB131 | 1 | TUBO FLEX ANIMA IN ACCIAIO D.38 L=8 | HOSE | TUYAU | ROHR |
| 32N.04.029 | RO404 | 2 | RONDELLA NORM.DIAM. 8 UNI 6592/69 I | INOX WASHER | RONDELLE | SCHEIBE |
| 32N.04.030 | VE462 | 2 | VITE ESAGONALE M8x25 UNI 5737/77 IN | SCREW | VIS | SECHSECKIGE SCHRAUBE |
| 32N.04.031 | TP229 | 1 | TELAIO SUPPORTO SQUEEGEE | BASE FRAME | CHASSIS | UNTERLAGERAHMEN |
| 32N.04.032 | DD405 | 1 | DADO M8 UNI 5588/65 INOX | INOX NUT | ECROU | MUTTER |
| 32N.04.033 | SU519 | 1 | SUPPORTO ALZA SQUEEGEE | SUPPORT | SUPPORT | HALTER |
| 32N.04.034 | MI228 | 1 | REGISTRO FERMA GUAINA SQUEEGEE | BRAKE WIRE | REGLAGE FIL FREIN | BREMSE DER FADEN |
| 32N.04.035 | SP012 | 2 | SPINA ELASTICA 5x30 UNI 6874/71 | TENSION PIN | CONNECTEUR | SPANNSTIFT |
| 32N.04.036 | DD454 | 1 | DADO AUTOBLOCCANTE M8 INOX | INOX SELF-LOCKING NUT | ECROU DE SURETE | SICHERUNGSMUTTER |
| 32N.04.037 | VP048 | 2 | POMELLO A LEVA FEMMINA | KNOB | POMMEAU | KUGELGRIFF |
| 32N.04.038 | VI060 | 2 | ROND. INOX CON FILETTO M8 | WASHER | RONDELLE | SCHEIBE |
| 32N.04.039 | VE461 | 2 | VITE ESAGONALE M8X20 UNI 5737-77 IN | SCREW | VIS | SECHSECKIGE SCHRAUBE |
| 32N.04.040 | RO404 | 2 | RONDELLA NORM.DIAM. 8 UNI 6592/69 I | INOX WASHER | RONDELLE | SCHEIBE |
| 32N.04.041 | DD406 | 2 | DADO M10 UNI 5588-65 INOX | INOX NUT | ECROU | MUTTER |
| 32N.04.042 | PT253 | 2 | SUPPORTO RUOTINE SQUEEGEE | SUPPORT | SUPPORT | HALTER |
| 32N.04.043 | RT020 | 2 | RUOTA PIVOTTANTE | WHEEL | ROUE | RAD |
| 32N.04.044 | VE268 | 2 | VITE ESAGONALE M8x60 UNI 5737/77 | SCREW | VIS | SECHSECKIGE SCHRAUBE |
| 32N.04.045 | RO302 | 2 | RONDELLA SLARG.DIAM.8X24 UNI 6592/6 | WASHER | RONDELLE | SCHEIBE |
| 32N.04.046 | RT056 | 2 | RUOTA PARACOLPI 100x19 | SHOCKPROOF WHEEL 100x | ROUE | RAD |
| 32N.04.047 | BO109 | 2 | BOCCOLA RUOTA PARACOLPI | BUSH | DOUILLE | BUCHSE |
| 32N.04.048 | LM484 | 1 | LISTELLO ANTER. SQUEEGEE I26PF-V.ZA | LISTEL | LISTEL | VORDERLEISTE |
| 32N.04.049 | BP262 | 1 | LAMA ANTERIORE SQUEEGEE TRASPARENTE | FRONT BLADE | LAME AVANT | RUECKMESSER |
| 32N.04.050 | SQ066 | 1 | CORPO SQUEEGEE IN ALLUMINIO | ALU SQUEEGEE | SUCEUR PARABOLIQUE | SAUGFUSS |

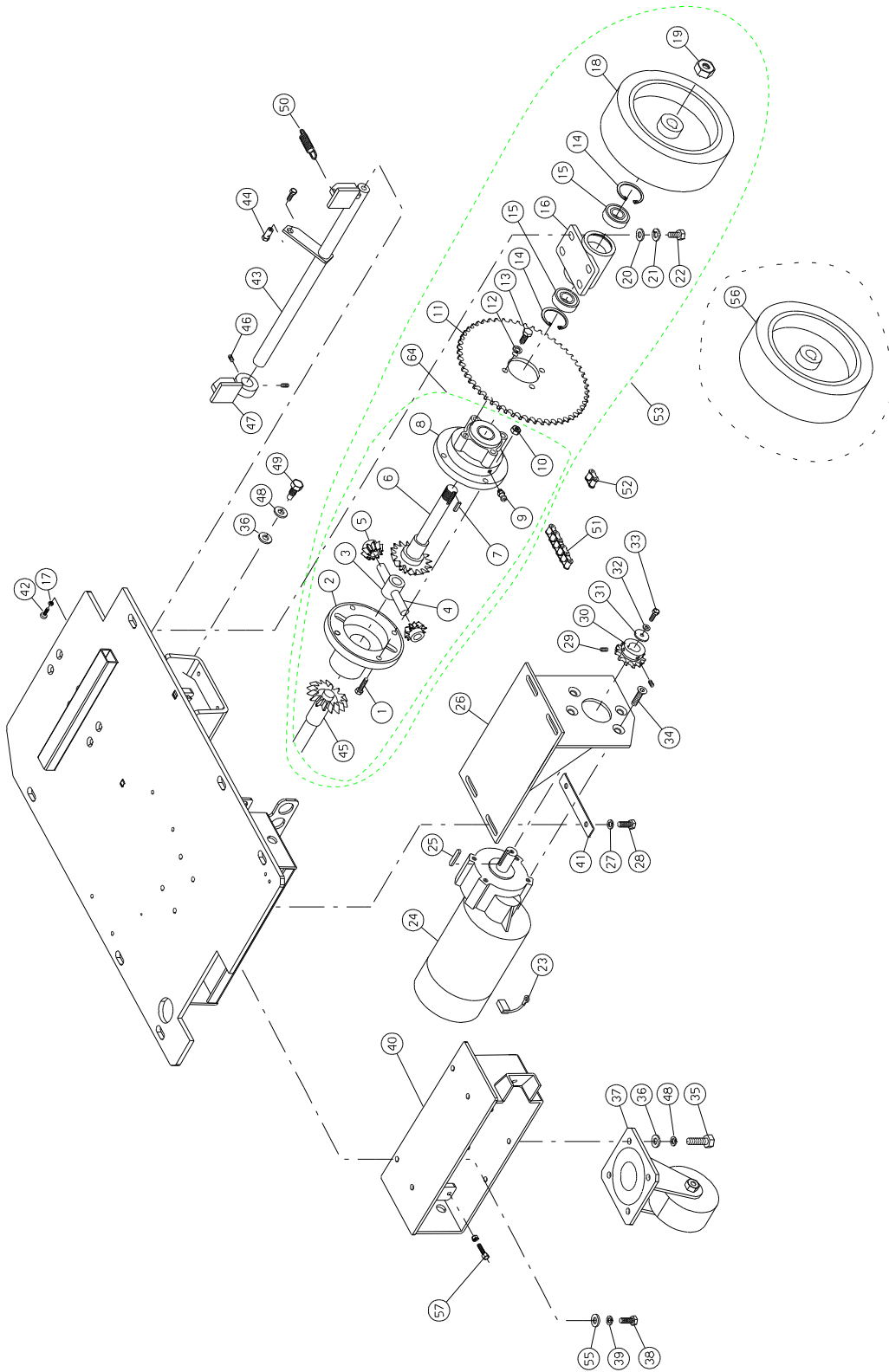




| N.Position | Code Num | Qta | Descrizione | Description | Description | Bezeichnung |
|------------|----------|-----|---|--------------------------|--------------------------|--------------------------|
| 32N.04.051 | MI121 | 7 | PRIGIONIERO M6X35 15/15 | THREAD | TREFILE | GEWINDESTIFT |
| 32N.04.052 | BP294G | 1 | LAMA POSTERIORE SQUEEGEE GRIGIA PER ET/65 | SQUEEGEE REAR BLADE GRAY | TOLE ARRIERE SUCEUR GRIS | SAUGFUSSRUECKMESSER GRAU |
| 32N.04.053 | RO501 | 7 | RONDELLA SLARGATA DIAM.6x18 UNI 659 | WASHER | RONDELLE | SCHEIBE |
| 32N.04.054 | VL450 | 7 | DADO AD ALETTE M6 INOX | NUT | ECROU | MUTTER |
| 32N.04.055 | LM553 | 1 | LISTELLO POSTERIORE DESTRO PER ET/65 | RIGHT REAR LISTEL | BORD ARRIERE DROITE | RUECKLEISTE RECHTS |
| 32N.04.056 | CC5000 | 1 | GANCIO CHIUSURA COPERCHIO FILTRI | FILTER COVER HOOK | CROCET COUVERCLE FIL | VERZINKTER HAKEN |
| 32N.04.057 | KIT812 | 1 | KIT SERIE LAME | BLADES KIT | JEU DE BAVETTES ET/65 | MESSERSBAUSATZ |
| 32N.04.058 | VS405 | 1 | VITE SVASATA T/C M4x16 UNI 7688 INOX | SCREW | VIS | SCHRAUBE |
| 32N.04.059 | LM554 | 1 | LISTELLO POSTERIORE SINISTRO PER ET/65 | LEFT REAR LISTEL | LISTEL | RUECKLEISTE LINKS |
| 32N.04.060 | VB474 | 2 | VITE TESTA BOMBATA M8X16 INOX | COUNTERSUNK SCREW | VIS | HALBRUNDSCHRAUBE |
| 32N.04.061 | KIT810 | 1 | KIT SQUEEGEE COMPLETO | SQUEEGEE COMPLETE | JEU SUCEUR ET/65 | SAUGFUSSBAUSATZ |
| 32N.04.062 | SB165 | 1 | BOCCHETTA DI ASPIRAZIONE SQUEEGEE | SUCTION MOUTH | BOUCHE D'ASPIRATION | ANSAUGMUND |
| 32N.04.063 | MI305 | 1 | FILO SOLLEVAMENTO SQUEEGEE | BRAKE WIRE | FIL FREIN | DRAHTBREMSE |
| 32N.04.064 | ST160 | 1 | STAFFA SUPPORTO PERNO SOLL.SQUEEGEE | SUPPORT | SUPPORT | BUEGEL |

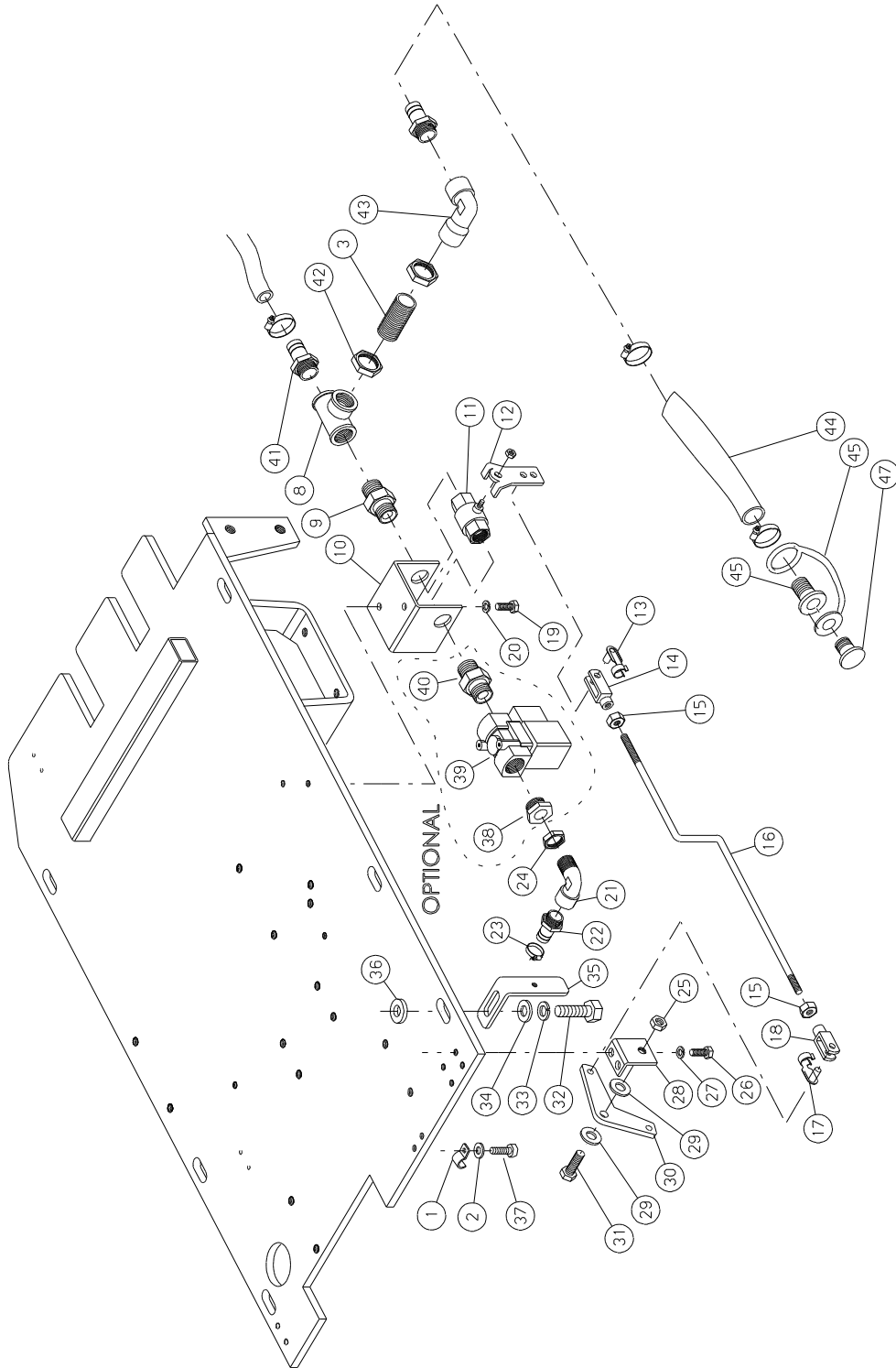
ICM 21

| N.Position | Code Num | Qta | Descrizione | Description | Description | Bezeichnung |
|------------|----------|-----|-------------------------------------|--------------------------|--------------------------|--------------------------|
| 32N.04.048 | LM644 | 1 | LISTELLO ANTERIORE SINISTRO | LISTEL | LISTEL | VORDERLEISTE |
| 32N.04.049 | BP352 | 1 | LAMA ANTERIORE SQUEEGEE TRASPARENTE | FRONT BLADE | LAME AVANT | RUECKMESSER |
| 32N.04.050 | SQ075 | 1 | CORPO SQUEEGEE PER I21NEW | ALU SQUEEGEE | SUCEUR PARABOLIQUE | SAUGFUSS |
| 32N.04.052 | BP353 | 1 | LAMA POSTERIORE SQUEEGEE GRIGIA | SQUEEGEE REAR BLADE GRAY | TOLE ARRIERE SUCEUR GRIS | SAUGFUSSRUECKMESSER GRAU |
| 32N.04.055 | LM645 | 1 | LISTELLO POSTERIORE Dx SQUEEGEE | RIGHT REAR LISTEL | BORD ARRIERE DROITE | RUECKLEISTE RECHTS |
| 32N.04.057 | KIT827 | 1 | KIT SERIE LAME | BLADES KIT | JEU DE BAVETTES ET/65 | MESSERSBAUSATZ |
| 32N.04.059 | LM646 | 1 | LISTELLO POSTERIORE Sx SQUEEGEE | LEFT REAR LISTEL | LISTEL | RUECKLEISTE LINKS |
| 32N.04.061 | KIT828 | 1 | KIT SQUEEGEE COMPLETO | SQUEEGEE COMPLETE | JEU SUCEUR ET/65 | SAUGFUSSBAUSATZ |



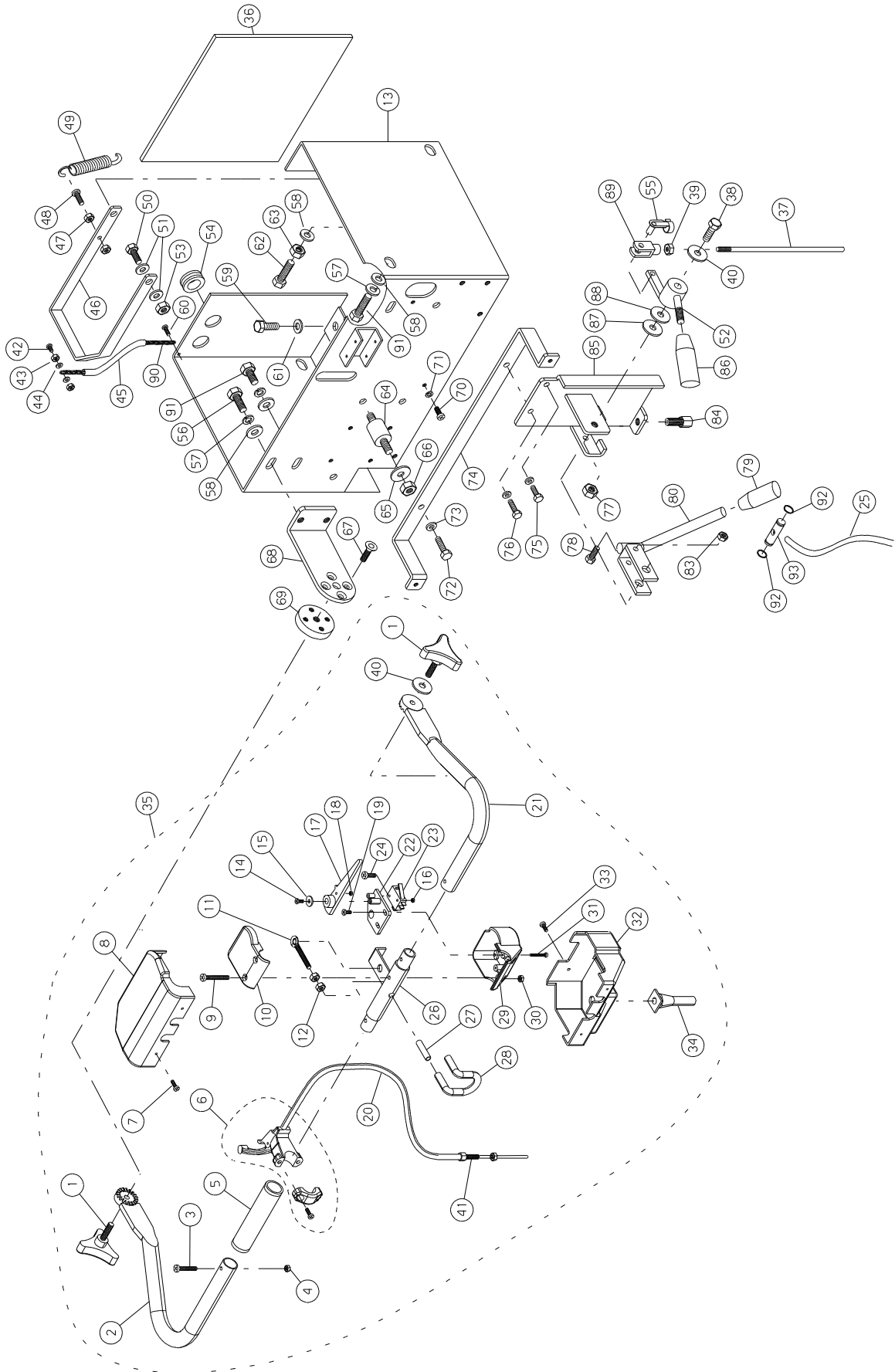


| N.Position | C.N. | Qta | Descrizione | Description | Description | Bezeichnung |
|------------|--------|-----|-------------------------------------|-----------------------|----------------------|----------------------|
| NEW.05.001 | VE465 | 4 | VITE ESAGONALE M8x40 UNI 5737/77 IN | SCREW | VIS | SECHSECKIGE SCHRAUBE |
| NEW.05.002 | FU003 | 1 | SEMISCATOLA SX. | L.H. HALF-BOX | DEMI-BOITE | HALBSCHACHTEL L. |
| NEW.05.003 | SU008 | 1 | SUPPORTO PERNO SATELLITI | PIN SUPPORT | SUPPORT | BOLZENHALTER |
| NEW.05.004 | PE031 | 1 | PERNO SATELLITE DIFFERENZIALE | DIFFER.SIDE PINION PI | PIVOT | BOLZEN |
| NEW.05.005 | IG002 | 2 | SATELLITE DIFFERENZIALE | DIFFER. SIDE PINION | SATELLITE DIFFER. | AUSGLEICHSSATELLIT |
| NEW.05.006 | IG006 | 1 | SEMIASSE DX DIFFERENZIALE | RH DIFFER. AXLE SHAFT | DEMI-ESSIEU | HALBACHSE, R. |
| NEW.05.007 | CH023 | 2 | LINGUETTA 6x6x30 UNI6604-A | TONGUE | CLAVETTE | PASSFEDER |
| NEW.05.008 | FU002 | 1 | SEMISCATOLA DX. | R.H. HALF-BOX | DEMI-BOITE | HALBSCHACHTEL, R. |
| NEW.05.009 | IR001 | 1 | INGRASSATORE C.CHIUS.A SFERA M6 UNI | GREASER | GRAISSEUR | SCHMIERBUCHSE |
| NEW.05.010 | DD254 | 4 | DADO AUTOBLOCCANTE M8 | INOX SELF-LOCKING NUT | ECROU DE SURETE | SICHERUNGSMUTTER |
| NEW.05.011 | XD002 | 1 | CORONA 1/2"x3/16" Z=40 | RING GEAR | COURONNE | KRANZ |
| NEW.05.012 | RO455 | 4 | RONDELLA SPACCATO DIAM. 8 UNI 1751 | INOX WASHER | RONDELLE | SCHEIBE |
| NEW.05.013 | WE243 | 4 | VITE A TESTA ESAGONALE 5/16"x3/4" | SCREW | VIS | SECHSECKIGE SCHRAUBE |
| NEW.05.014 | SG065 | 4 | ANELLO SEEGER PER INT.DIAM.42 UNI 7 | SEEGER | SEEGER | SEEGERRING |
| NEW.05.015 | CS005 | 4 | CUSCINETTO A SFERE 6004 2RS1 | BALL BEARING | ROULEMENT A BILLES | KUGELLAGER |
| NEW.05.016 | SU042 | 2 | SUPPORTO DIFF. | DIFFER. SUPPORT | SUPPORT | ABSTANDSTUECKSTUETZE |
| NEW.05.017 | DD403 | 1 | DADO M5 UNI 5588/65 INOX | INOX NUT | ECROU | MUTTER |
| NEW.05.018 | RT093 | 2 | RUOTA TRAZIONE 200X50 ANTITRACCIA | DRIVE WHEEL | ROUE MOTRICE | TREIBRAD |
| NEW.05.019 | DD5004 | 2 | DADO M18x1,5 | NUT | ECROU | MUTTER |
| NEW.05.020 | RO404 | 8 | RONDELLA NORM.DIAM. 8 UNI 6592/69 I | INOX WASHER | RONDELLE | SCHEIBE |
| NEW.05.021 | RO455 | 8 | RONDELLA SPACCATO DIAM. 8 UNI 1751 | INOX WASHER | RONDELLE | SCHEIBE |
| NEW.05.022 | VE461 | 8 | VITE ESAGONALE M8X20 UNI 5737-77 IN | SCREW | VIS | SECHSECKIGE SCHRAUBE |
| NEW.05.023 | MP189 | 1 | SERIE CARBONCINI COMPLETA MBT1141S | MOTOR BRUSH | CARBON | KOHL |
| NEW.05.024 | MO171 | 1 | MOTORIDUTTORE 370W 24V MBT1141S | GEARMOTOR | MOTOREDUCTEUR | GETRIEBEMOTOR |
| NEW.05.025 | CH035 | 1 | LINGUETTA 6,3x6,3x30 FORMA B | TONGUE 6,3x6,3X30 | CLAVETTE | PASSFEDER |
| NEW.05.026 | SU294 | 1 | SUPPORTO MOTORE TRAZIONE | SUPPORT | SUPPORT | HALTER |
| NEW.05.027 | RO455 | 4 | RONDELLA SPACCATO DIAM. 8 UNI 1751 | INOX WASHER | RONDELLE | SCHEIBE |
| NEW.05.028 | VE460 | 4 | VITE ESAGONALE M8x16 UNI 5737/77 IN | SCREW | VIS | SECHSECKIGE SCHRAUBE |
| NEW.05.029 | VG020 | 2 | GRANO M6x8 C/PUNTA | DOWEL | GRAIN | DUEBEL MIT SPITZE |
| NEW.05.030 | XD019 | 1 | PIGNONE 1/2" 3/16" Z13 | PINION | PIGNON | RITZEL |
| NEW.05.031 | RO502 | 1 | RONDELLA SLARG. D.8X24 UNI6592/69 I | INOX WASHER | RONDELLE | SCHEIBE |
| NEW.05.032 | RO455 | 1 | RONDELLA SPACCATO DIAM. 8 UNI 1751 | INOX WASHER | RONDELLE | SCHEIBE |
| NEW.05.033 | WE241 | 1 | VITE A TESTA ESAGONALE 5/16"x1/2" | SCREW | VIS | SCHRAUBE |
| NEW.05.034 | WV041 | 4 | VITE A BRUGOLA SVASATA 3/8"-16 X 3/ | SCREW | VIS | SENKSCHRAUBE |
| NEW.05.035 | VE481 | 4 | VITE ESAGONALE M10X20 UNI 5737/77 I | SCREW | VIS | SCHRAUBE |
| NEW.05.036 | RO405 | 6 | RONDELLA NORM.DIAM. 10 UNI 6592/69 | INOX WASHER | RONDELLE | SCHEIBE |
| NEW.05.037 | RT032 | 1 | RUOTA PIVOTTANTE TIPO COLSON | WHEEL | ROUE | RAD |
| NEW.05.038 | VE460 | 4 | VITE ESAGONALE M8x16 UNI 5737/77 IN | SCREW | VIS | SECHSECKIGE SCHRAUBE |
| NEW.05.039 | RO455 | 4 | RONDELLA SPACCATO DIAM. 8 UNI 1751 | INOX WASHER | RONDELLE | SCHEIBE |
| NEW.05.040 | SU605 | 1 | SUPPORTO RUOTA PIVOTTANTE | WHEEL SUPPORT | SUPPORT ROUE | RADHALTER |
| NEW.05.041 | LM041 | 2 | PIASTRINA VITI FISSAGGIO MOTORE | SCREW PLATE | PLAQUE | SCHRAUBENPLATTE |
| NEW.05.042 | VC413 | 1 | VITE CILIN.CROCE M5x16 UNI 7687 INO | SCREW | VIS | ZYLINDERSCHRAUBE |
| NEW.05.043 | PE130 | 1 | PERNO AZIONAMENTO GANASCE FRENO | PIN | PIVOT | BOLZEN |
| NEW.05.044 | MV054 | 1 | MORSETTO FILO | WIRE TERMINAL | ETAU | DRAHTKLEMME |
| NEW.05.045 | IG005 | 1 | SEMIASSE SX DIFFERENZIALE | LH DIFFER. AXLE SHAFT | DEMI-ESSIEU | HALBACHSE, L. |
| NEW.05.046 | VG031 | 2 | GRANO M8x10 UNI 5927/67 | DOWEL | GRAIN | DUEBEL |
| NEW.05.047 | FN010 | 1 | GANASCIA FRENO | BRAKE SHOE | GRIFFE | BREMSBACKE |
| NEW.05.048 | RO456 | 6 | ROSETTA SPACCATO D.10 UNI 1751 INOX | INOX WASHER | RONDELLE | SCHEIBE |
| NEW.05.049 | VI032 | 2 | VITE M10 SPECIALE | SCREW | VIS | SCHRAUBE |
| NEW.05.050 | ML055 | 1 | MOLLA RITORNO BLOCCAGGIO | SPRING | RESSORT | FEDER |
| NEW.05.051 | CT003 | 1 | CATENA PSS.1/2" LARGH.INT.4,88 PASS | CHAIN | CHAINE | KETTE |
| NEW.05.052 | CT012 | 1 | GIUNTO CATENA | JUNCTION MESH | MAILLE | GLIED |
| NEW.05.053 | KIT034 | 1 | DIFFER.COMPL.*FANT* | COMPLETE DIFFERENTIAL | DIFFERENTIAL COMPLET | DIFFERENTIAL KPL. |
| NEW.05.054 | KIT551 | 1 | DIFFER.ICM21-26*FANT* | DIFFERENTIAL | DIFFERENTIAL | DIFFERENTIAL |
| NEW.05.055 | RO404 | 4 | RONDELLA NORM.DIAM. 8 UNI 6592/69 I | INOX WASHER | RONDELLE | SCHEIBE |
| NEW.05.056 | RT002 | 2 | RUOTA MOTRICE (ROSSA) | DRIVE WHEEL (RED) | ROUE MOTRICE (ROUGE) | TREIBRAD (ROT) |
| NEW.05.057 | MI104 | 1 | REGISRTO FRENO M8 | BRAKE WIRE | REGLAGE FIL FREIN | BREMSE DER FADEN |

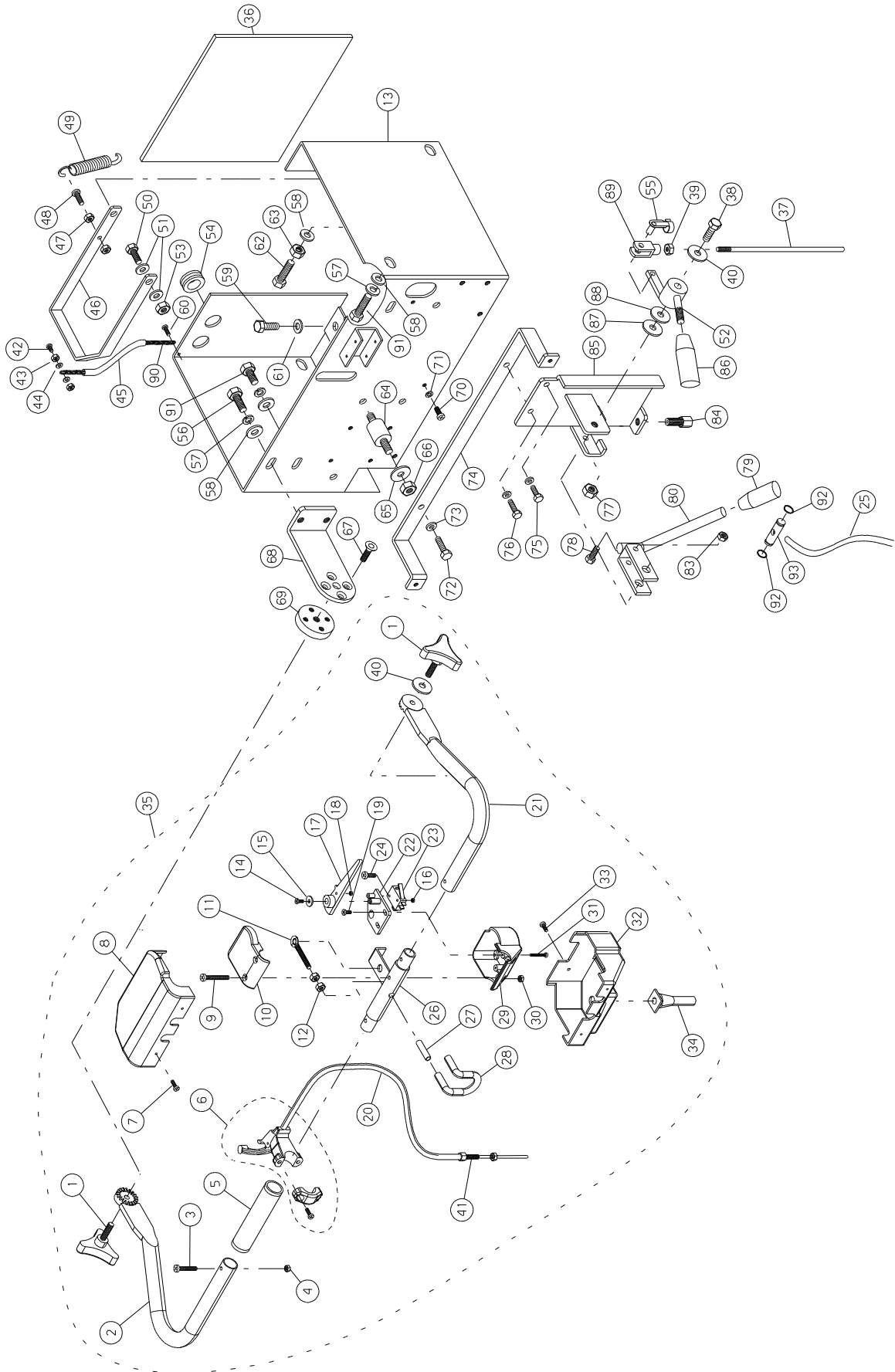




| N.Position | C.N. | Qta | Descrizione | Description | Description | Bezeichnung |
|------------|--------|-----|---------------------------------------|----------------------|--------------------|----------------------|
| NEW.06.001 | MI221 | 2 | FERMACAVO | FIRM CABLE | ARRÊTÉ CÂBLE | ES HÄLT KABEL AN |
| NEW.06.002 | RO505 | 2 | RONDELLA SLARG.D.4x12 UNI6592/69 IN | WASHER | RONDELLE | SCHEIBE |
| NEW.06.003 | RC203 | 1 | RACCORDO IN OTTONE L=55 1/2 G | UNION | RACCORD | ANSCHLUSS |
| NEW.06.008 | RC067 | 1 | RACCORDO A T F/F/F 1/2 G | UNION | RACCORD | ANSCHLUSS |
| NEW.06.009 | RC5023 | 1 | NIPLES M-N 3/8 1/2 G | UNION | RACCORD | ANSCHLUSS |
| NEW.06.010 | ST053 | 1 | STAFFA SUPPORTO RUBINETTO SOLUZIONE | SUPPORT | SUPPORT | BUEGEL |
| NEW.06.011 | RB007 | 1 | RUBINETTO SOLUZIONE F/F 3/8G L=51mm | SOLUTION VALVE | ROBINET | HAHN |
| NEW.06.012 | LV178 | 1 | LEVA RUBINETTO SOLUZIONE | VALVE LEVER | LEVIER | HEBEL |
| NEW.06.013 | MI028 | 1 | PERNO CON MOLLA PER FORCELLA M6 (lu | PIN | PIVOT | BOLZEN MIT FEDER |
| NEW.06.014 | SN002 | 1 | SNODO (forcella) M6 (lunga) | JOINT | JOINT | LANGES GELENK |
| NEW.06.015 | DD404 | 2 | DADO M6 UNI 5588/65 INOX | INOX NUT | ECROU | MUTTER |
| NEW.06.016 | TI185 | 1 | TIRANTE RUBINETTO SOLUZIONE | TIE ROD | TIRANT | SPANNSTANGE |
| NEW.06.017 | MI006 | 1 | CLIPS PER FORCELLA M6 - | PIN WITH SPRING | PIVOT | BOLZEN FUER SN001 |
| NEW.06.018 | SN001 | 1 | SNODO (forcella) M6 | JOINT | JOINT | GELENK |
| NEW.06.019 | VE441 | 2 | VITE ESAGONALE M6x10 UNI 5737/77 IN | SCREW | VIS | SECHSECKIGE SCHRAUBE |
| NEW.06.020 | RO454 | 2 | RONDELLA SPACCATA DIAM. 6 UNI 1751 | INOX WASHER | RONDELLE | SCHEIBE |
| NEW.06.021 | RC073 | 1 | RACCORDO M/F 90° 3/8 | UNION | RACCORD | ANSCHLUSS |
| NEW.06.022 | RC002 | 1 | RACCORDO 3/8 MASCHIO P/GOMMA 12 | UNION | RACCORD | ANSCHLUSS |
| NEW.06.023 | FS002 | 4 | FASCETTA 12/22 | CLAMP 12/20 | BANDE | SCHELLE |
| NEW.06.024 | GH007 | 1 | GHIERA RUBINETTO SOLUZIONE 3/8 | SOLUT.VALVE RING NUT | EMBOUT | GITTER |
| NEW.06.025 | DD405 | 1 | DADO M8 UNI 5588/65 INOX | INOX NUT | ECROU | MUTTER |
| NEW.06.026 | VE441 | 2 | VITE ESAGONALE M6x10 UNI 5737/77 IN | SCREW | VIS | SCHRAUBE |
| NEW.06.027 | RO454 | 2 | RONDELLA SPACCATA DIAM. 6 UNI 1751 | INOX WASHER | RONDELLE | SCHEIBE |
| NEW.06.028 | LM067 | 1 | SQUADRO LEVA RINVIO TIRANTE SOLUZIO | EL.GROUP COVER SHEET | EQUERRE | WINKEL |
| NEW.06.029 | RO404 | 2 | RONDELLA NORM.DIAM. 8 UNI 6592/69 I | INOX WASHER | RONDELLE | SCHEIBE |
| NEW.06.030 | LV046 | 1 | LEVA RINVIO SOLUZIONE | TRANSMISSION LEVER | LEVIER | HEBEL |
| NEW.06.031 | VE461 | 1 | VITE ESAGONALE M8X20 UNI 5737-77 IN | SCREW | VIS | SECHSECKIGE SCHRAUBE |
| NEW.06.032 | VE492 | 6 | VITE ESAGONALE M10x25 UNI 5737/77 I | SCREW | VIS | SCHRAUBE |
| NEW.06.033 | RO456 | 4 | ROSETTA SPACCATA D.10 UNI 1751 INOX | INOX WASHER | RONDELLE | SCHEIBE |
| NEW.06.034 | RO405 | 6 | RONDELLA NORM.DIAM. 10 UNI 6592/69 | INOX WASHER | RONDELLE | SCHEIBE |
| NEW.06.035 | PT059 | 2 | PIASTRINA GRANDE ATTACCO MINIGONNA | PLATE | PLAQUETTE | TELLER |
| NEW.06.036 | DT143 | 6 | DISTANZIALE TELAIO-SERBATOIO | SPACER | ENTRETOISE | DISTANZSTUECK |
| NEW.06.037 | VC403 | 2 | VITE CILIN.CROCE M4x12 UNI 7687 INO | SCREW | VIS | SECHSECKIGE SCHRAUBE |
| NEW.06.038 | RC017 | 1 | RACCORDO M/F 1/2"3/8" | UNION | RACCORD | ANSCHLUSS |
| NEW.06.039 | RB015 | 1 | ELETTROVALVOLA COMPLETA DI BOBINA 2 | SOLENOID VALVE | SOUPAPE ELECTRIQUE | ELEKTROVENTIL KPL. |
| NEW.06.040 | RC5023 | 1 | NIPLES M-N 3/8 1/2 G | UNION | RACCORD | ANSCHLUSS |
| NEW.06.041 | RC051 | 2 | RACCORDO 1/2" MASCHIO PORTAGOMMA D.16 | UNION | RACCORD | ANSCHLUSS |
| NEW.06.042 | GH023 | 2 | GHIERA RUBINETTO SOLUZIONE 1/2 | SOLUT.VALVE RING NUT | EMBOUT | GITTER |
| NEW.06.043 | RC072 | 1 | RACCORDO F/F A 90 1/2 | UNION | RACCORD | ANSCHLUSS |
| NEW.06.044 | TB341 | 1 | TUBO SCARICO SOLUZIONE L=730 | PIPE | TUYAU | ROHR |
| NEW.06.045 | RC089 | 1 | RACCORDO F.1/2" IN PVC P/GOMMA 15- | UNION | RACCORD | ANSCHLUSS |
| NEW.06.046 | GR126 | 1 | GUARNIZIONE FERMA TAPPO SBR 2 mm | GASKET | GARNITURE | DICHTUNG |
| NEW.06.047 | RC132 | 1 | TAPPO 1/2" IN PVC CON LAVORAZ | PLUG | BOUCHON | STOPFEN |

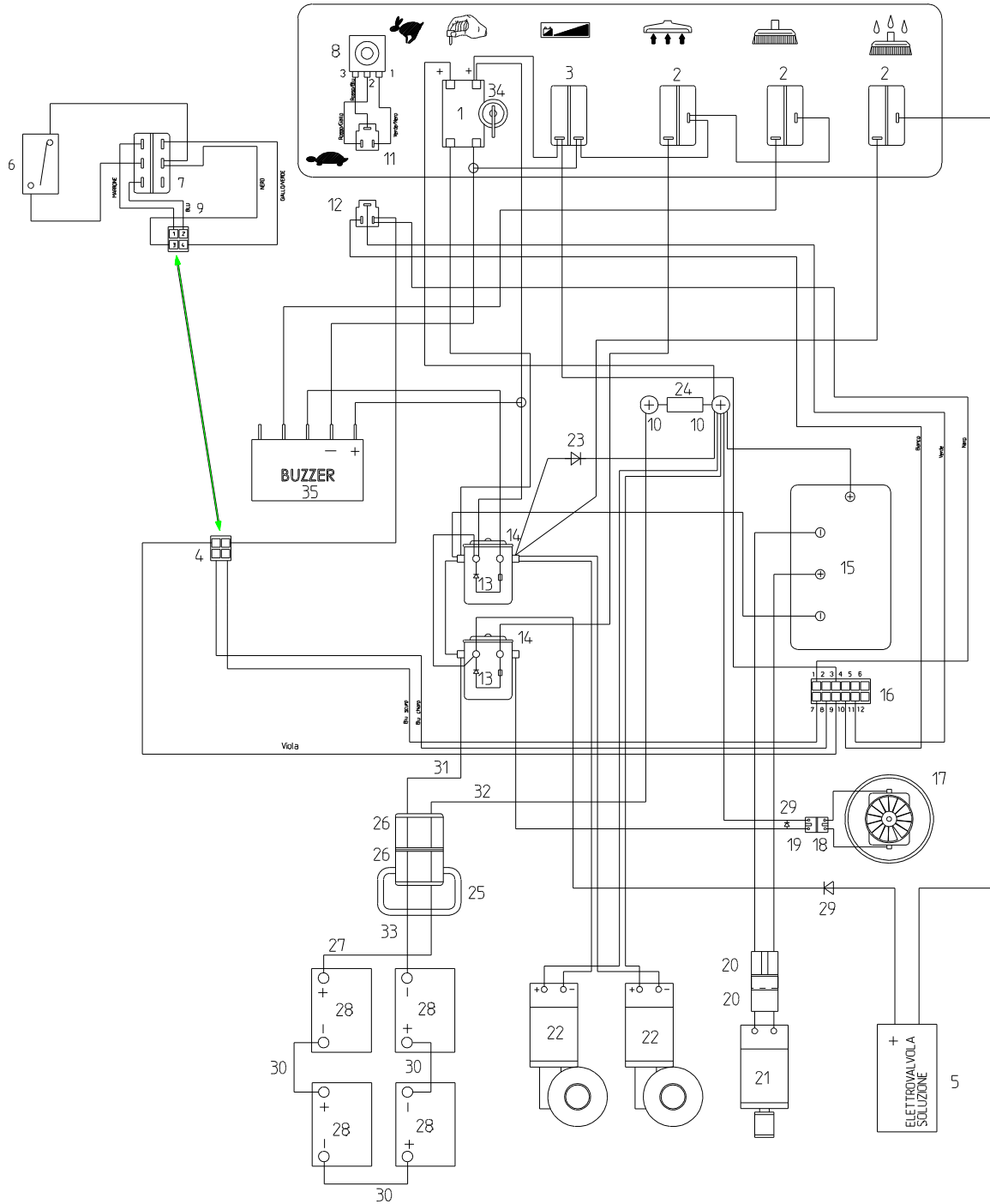


| N.Position | C.N. | Qta | Descrizione | Description | Description | Bezeichnung |
|------------|--------|-----|---|-----------------------|-----------------------|-----------------------|
| NEW.07.001 | VP022 | 2 | POMELLO M8x30 A 3 LOBI | KNOB | POMMEAU | KNOPF |
| NEW.07.002 | MN067 | 1 | SEMIMANICO SINISTRO | SEMI-HANDLE L. | SEMI MANCHE GAUCHE | SAMEN LINKER GRIFF |
| NEW.07.003 | VC407 | 1 | VITE CILIN.CROCE M4x30 UNI 7687 INO | SCREW | VIS | ZYLINDERSCHRAUBE |
| NEW.07.004 | DD402 | 1 | DADO M4 UNI 5588-65 INOX | INOX NUT | ECROU | MUTTER |
| NEW.07.005 | MN065 | 2 | MANOPOLA CON FORO ART.738 | HAND GRIP | POIGNEE | KNOPF |
| NEW.07.006 | LV296 | 1 | LEVA FRENO PER TUBO 22mm | BRAKE LEVER | LEVIER FREIN | BREMSHEBEL |
| NEW.07.007 | VA251 | 2 | VITE AUTOFILETTANTE TC 3.9x13 UNI 6954/71 | SCREW | VIS | SCHRAUBE |
| NEW.07.008 | CA184 | 1 | CARTER COPRIMANICO SUPERIORE | HANDLE COVER | CARTER SUP.POIGNEE | OBENGEHAEUSE |
| NEW.07.009 | VS419 | 2 | VITE SVASATA TC M5x35 INOX | SCREW | VIS | SENKSCHRAUBE |
| NEW.07.010 | CO176 | 1 | COPERCHIO INFERIORE LEVA AVANZAMENT | COVER | COUVERCLE | UNTENDECKEL |
| NEW.07.011 | MI112 | 1 | GOLFARE M6 | EYEBOLT | OILLET | OESENSCHRAUBE |
| NEW.07.012 | DD408 | 2 | DADO M6 BASSO INOX | INOX SELF-LOCKING NUT | ECROU DE SURETE | SICHERUNGSMUTTER |
| NEW.07.013 | LM314 | 1 | LAMIERA SEPARAZIONE VANO BATTERIE | SHEET | TOLE | BLECH |
| NEW.07.014 | VA264 | 1 | VITE AUTOFILET. TC 3.5x13 UNI 6954/ | SELF THREADING SCREW | VIS | BLECHSCHRAUBE |
| NEW.07.015 | RO501 | 1 | RONDELLA SLARG.D.6X18 UNI6592/69 IN | INOX WASHER | RONDELLE | SCHEIBE |
| NEW.07.016 | DD450 | 1 | DADO AUTOBLOCCANTE M3 INOX | INOX SELF-LOCKING NUT | ECROU DE SURETE | SICHERUNGSMUTTER |
| NEW.07.017 | LV297 | 1 | LEVA AVANZAMENTO IN PLASTICA | DRIVE LEVER | LEVIER | PLASTIKVORSCHUBSHEBEL |
| NEW.07.018 | DD452 | 1 | DADO AUTOBLOCCANTE M5 INOX | INOX SELF-LOCKING NUT | ECROU DE SURETE | SICHERUNGSMUTTER |
| NEW.07.019 | VA560 | 2 | VITE AUTOFORANTE TC 3,5x16 UNI 6954 | SCREW | VIS | SCHRAUBE |
| NEW.07.020 | MI268 | 1 | GUAINA FILO FRENO L=1020 | SHEATH | GAINE | HUELSE |
| NEW.07.021 | MN068 | 1 | SEMIMANICO DESTRO | SEMI-HANDLE R. | SEMI MANCHE DROIT | SAMEN RECHTER GRIFF |
| NEW.07.022 | SU170 | 1 | BASSETTA IN PLASTICA SUPPORTO MICRO | PLASTIC BASE | SUPPORT | SOCKEL |
| NEW.07.023 | IN009 | 1 | MICRO SWITCH | MICROSWITCH | MICRO INTERRUPTEUR | MIKROSCHALTER |
| NEW.07.024 | VS429 | 1 | VITE SVASATA TC 3x18 INOX | SCREW | VIS | SENKSCHRAUBE |
| NEW.07.025 | MI305 | 1 | CAVO ALZA SQUEEGEE | CABLE | CABLE | BATTERIEKABEL |
| NEW.07.026 | MN064 | 1 | GIUNTO MANICO | HANDLE COUPLING | JOINT POIGNEE | GRIFFSVERBINDUNG |
| NEW.07.027 | BO190 | 1 | BOCCOLA IN OTTONE D=8 d=6 L=34 | BUSH | DOUILLE | BUCHSE AUS MESSING |
| NEW.07.028 | LV326 | 1 | LEVA COMANDO INVERSIONE MARCIA | REVERSE SPEED LEVER | LEVIER MARCHE ARRIERE | BEDIENUNGSHEBEL FUER |
| NEW.07.029 | CO175 | 1 | COPERCHIO SUPERIORE LEVA AVANZAMENT | COVER | COUVERCLE | OBENDECKEL |
| NEW.07.030 | DD452 | 2 | DADO AUTOBLOCCANTE M5 INOX | INOX SELF-LOCKING NUT | ECROU DE SURETE | SICHERUNGSMUTTER |
| NEW.07.031 | VA258 | 1 | VITE AUTOFILET. TC 3,9x45 UNI 6954/ | SCREW | VIS | BLECHSCHRAUBE |
| NEW.07.032 | CA185 | 1 | CARTER COPRIMANICO INFERIORE | HANDLE COVER | CARTER INF.POIGNEE | UNTENGEHAEUSE |
| NEW.07.033 | VC403 | 1 | VITE CILINDRICA CROCE M4x12 INOX | SCREW | VIS | SENKSCHRAUBE |
| NEW.07.034 | PY309 | 1 | PASSACAVO IN GOMMA NERA | BLACK RUBBER FAIRLEAD | PASSE-CABLE | KABELDURCHGANG AUS SC |
| NEW.07.035 | KIT472 | 1 | KIT ASSEMBLAGGIO MANICO | COMPLETE HANDLE | MANCHE COMPLET | VOLLSTÄNDIGER GRIFF |
| NEW.07.036 | PA170 | 1 | PARATIA SEPARAZIONE VANO BATTERIE | BULKHEAD | CLOISON | SCHOTT |
| NEW.07.037 | TI133 | 1 | TIRANTE LEVA SOLUZIONE | TIE ROD | TIRANT | SPANNSTANGE |
| NEW.07.038 | VE465 | 1 | VITE ESAGONALE M8x40 UNI 5737/77 IN | SCREW | VIS | SECHSECKIGE SCHRAUBE |
| NEW.07.039 | DD404 | 1 | DADO M6 UNI 5588/65 INOX | INOX NUT | ECROU | MUTTER |
| NEW.07.040 | RO502 | 1 | RONDELLA SLARGATA 8x24 | INOX WASHER | RONDELLE | SCHEIBE |
| NEW.07.041 | MI233 | 1 | FILO FRENO L=1640 | BRAKE WIRE | FIL FREIN | DRAHTBREMSE |
| NEW.07.042 | VC440 | 1 | VITE CILIN.CROCE M4x20 UNI 7687 INO | SCREW | VIS | ZYLINDERSCHRAUBE |
| NEW.07.043 | DD451 | 2 | DADO AUTOBLOCCANTE M4 INOX | SELF-LOCKING NUT | ECROU DE SURETE | SICHERUNGSMUTTER |
| NEW.07.044 | RO401 | 2 | ROSETTA DIAM. 4 UNI 6592/69 INOX | INOX WASHER | RONDELLE | SCHEIBE |
| NEW.07.045 | PY544 | 1 | GUAINA NERA D=10mm L=300mm | SHEATH | GAINE | HUELSE |
| NEW.07.046 | LM326 | 1 | LAMIERA FERMA MOTORE ASPIRAZIONE | SHEET | TOLE | BLECH |
| NEW.07.047 | DD403 | 2 | DADO M5 UNI 5588/65 INOX | INOX NUT | ECROU | MUTTER |
| NEW.07.048 | VC414 | 1 | VITE CILIN.CROCE M5x20 UNI 7687 IN | SCREW | VIS | ZYLINDERSCHRAUBE |
| NEW.07.049 | ML065 | 1 | MOLLA L=80 | BRUSH PRESSURE SPRING | RESSORT | FEDER |
| NEW.07.050 | VE461 | 1 | VITE ESAGONALE M8X20 UNI 5737-77 IN | SCREW | VIS | SECHSECKIGE SCHRAUBE |
| NEW.07.051 | RO404 | 6 | RONDELLA NORM.DIAM. 8 UNI 6592/69 I | INOX WASHER | RONDELLE | SCHEIBE |
| NEW.07.052 | LV234 | 1 | LEVA RUBINETTO SOLUZIONE | LEVER | LEVIER | HEBEL |
| NEW.07.053 | PY240 | 2 | PASSACAVO TELAIO MEDIO | FAIRLEAD | PASSE-CABLE | KABELDURCHGANG |
| NEW.07.054 | VE460 | 1 | VITE ESAGONALE M8x16 UNI 5737/77 IN | SCREW | VIS | SECHSECKIGE SCHRAUBE |
| NEW.07.055 | MI006 | 1 | CLIPS PER FORCELLA M6 | PIN WITH SPRING | PIVOT | BOLZEN FUER SN001 |
| NEW.07.056 | VE461 | 2 | VITE ESAGONALE M8X20 UNI 5737-77 IN | SCREW | VIS | SECHSECKIGE SCHRAUBE |
| NEW.07.057 | RO455 | 6 | RONDELLA SPACCATI DIAM. 8 UNI 1751 | INOX WASHER | RONDELLE | SCHEIBE |
| NEW.07.058 | RO502 | 8 | RONDELLA SLARG. D.8X24 UNI6592/69 I | INOX WASHER | RONDELLE | SCHEIBE |
| NEW.07.059 | VE445 | 4 | VITE ESAGONALE M6x25 UNI 5737/77 IN | SCREW | VIS | SCHRAUBE |
| NEW.07.060 | VA221 | 1 | VITE AUTOFILETTANTE 4.8x9 SENZA PUNTA | SCREW | VIS | SCHRAUBE |
| NEW.07.061 | RO501 | 4 | RONDELLA SLARG.D.6X18 UNI6592/69 IN | INOX WASHER | RONDELLE | SCHEIBE |
| NEW.07.062 | VE463 | 2 | VITE ESAGONALE M8X30 UNI 5737-77 IN | SCREW | VIS | SECHSECKIGE SCHRAUBE |
| NEW.07.063 | DD405 | 2 | DADO M8 UNI 5588/65 INOX | INOX NUT | ECROU | MUTTER |
| NEW.07.064 | PY263 | 2 | SUPPORTO PER FUSE MORSETTIERA | TERMINAL BOARD SUPPOR | SUPPORT | HALTER |
| NEW.07.065 | RO502 | 4 | RONDELLA SLARG. D.8X24 UNI6592/69 I | INOX WASHER | RONDELLE | SCHEIBE |
| NEW.07.066 | DD905 | 2 | DADO M8 UNI 5588/65 OTTONE | BRASS NUT | ECROU DE SUR. LAITON | MUTTERSCHRAUBE |
| NEW.07.067 | VS421 | 8 | VITE SVASATA TC M6x12 UNI 7688 INOX | SCREW | VIS | SENKSCHRAUBE |
| NEW.07.068 | SU344 | 2 | SUPPORTO MANICO | HANDLE SUPPORT | SUPPORT MANCHE | HALTER |
| NEW.07.069 | MV068 | 2 | CERNIERA DENTATA PER ROTAZIONE MANI | HANDLE ROT. HINGE | CHARNIERE ROT.POIGNEE | CHARNIER |
| NEW.07.070 | VC410 | 6 | VITE CILIN.CROCE M5x12 UNI 7687 INO | SCREW | VIS | ZYLINDERSCHRAUBE |





| N.Position | C.N. | Qta | Descrizione | Description | Description | Bezeichnung |
|------------|-------|-----|-------------------------------------|-----------------------|----------------------|----------------------|
| NEW.07.071 | RO453 | 4 | ROSETTA SPACCATA D.5 UNI 1751 INOX | INOX WASHER | RONDELLE | SCHEIBE |
| NEW.07.072 | VE442 | 1 | VITE ESAGONALE M6x12 UNI 5737/77 IN | SCREW | VIS | SECHSECKIGE SCHRAUBE |
| NEW.07.073 | RO454 | 3 | RONDELLA SPACCATA DIAM. 6 UNI 1751 | INOX WASHER | RONDELLE | SCHEIBE |
| NEW.07.074 | LM315 | 1 | LAMIERINO SUPPORTO CARTER POSTERIOR | SHEET | TOLE | BLECH |
| NEW.07.075 | VE441 | 1 | VITE ESAGONALE M6x10 UNI 5737/77 IN | SCREW | VIS | SCHRAUBE |
| NEW.07.076 | VE444 | 1 | VITE ESAGONALE M6x20 UNI 5737/77 IN | SCREW | VIS | SECHSECKIGE SCHRAUBE |
| NEW.07.077 | DD405 | 1 | DADO M8 UNI 5588/65 INOX | INOX NUT | ECROU | MUTTER |
| NEW.07.078 | VE443 | 2 | VITE ESAGONALE M6x16 UNI 5737/77 IN | SCREW | VIS | SECHSECKIGE SCHRAUBE |
| NEW.07.079 | VP003 | 1 | POMELLO M10 | KNOB | POMMEAU | KNOPF |
| NEW.07.080 | LV241 | 1 | LEVA FRENO | BRAKE LEVER | LEVIER FREIN | HANDBREMSE |
| NEW.07.081 | SG001 | 2 | ANELLO SEEGER PER EST.DIAM.10 UNI 7 | SEEGER RING | SEEGER | SEEGERRING |
| NEW.07.082 | PE236 | 1 | PERNO SUPPORTO FILO SQUEEGEE | PIN | PIVOT | BOLZEN |
| NEW.07.083 | DD253 | 2 | DADO AUTOBLOCCANTE M6 | INOX NUT | ECROU | MUTTER |
| NEW.07.084 | MI104 | 1 | REGISTRO FILO FRENO M8 | BRAKE WIRE | REGLAGE FIL FREIN | BREMSE DER FADEN |
| NEW.07.085 | SU345 | 1 | SUPPORTO LEVA FRENO | BRAKE LEVER SUPPORT | SUPPORT LEVIER FREIN | HALTER |
| NEW.07.086 | VP002 | 1 | POMELLO M8 | KNOB | POMMEAU | BALLENGRIFF |
| NEW.07.087 | RO314 | 1 | RONDELLA ONDULATA D=10 | WASHER | RONDELLE | SCHEIBE |
| NEW.07.088 | BO021 | 2 | BOCCOLA FRIZIONE LEVA SOLUZIONE | SOLUT.LEV.CLUTCH BUSH | DOUILLE | BUCHSE |
| NEW.07.089 | SN001 | 1 | SNODO (forcella) M6 | JOINT | JOINT | GELENK |
| NEW.07.090 | MI206 | 1 | CATENE CON 31 MAGLIE | CHAIN | CHAINE | KETTE |
| NEW.07.091 | VE460 | 4 | VITE ESAGONALE M8x16 INOX | SCREW | VIS | ZYLINDERSCHRAUBE |





| N.Position | C.N. | Qta | Descrizione | Description | Description | Bezeichnung |
|------------|--------|-----|--------------------------------------|-----------------------|-----------------------|-----------------------|
| NEW.08.001 | IN008 | 2 | FRUTTO NORMALMENTE APERTO | NORMALLY OPEN CONTACT | CONTAT NORMAL.OUVERT | KONTAKT |
| NEW.08.002 | IN022 | 3 | INTERRUTTORE A SCATTO | SNAP SWITCH | INTERRUPTEUR A RESSOR | FEDERSCHALTER |
| NEW.08.003 | PY378 | 1 | INDICATORE DI CARICA BATTERIA 24V | BATTERY INDICATOR | INDICATEUR | STATUSANZEIGER |
| NEW.08.004 | PY699 | 1 | CONNETTORE 4 POLI FEMMINA | CONNECTOR | CONNECTEUR | 4-POLIGER KONTAKTSTIF |
| NEW.08.005 | RB015 | 1 | ELETTROVALVOLA COMPLETA DI BOBINA 2 | SOLENOID VALVE | SOUPAPE ELECTRIQUE | ELEKTROVENTIL KPL. |
| NEW.08.006 | IN009 | 1 | MICRO INTERRUTTORE | MICROSWITCH AM15039 | MICRO INTERRUPTEUR | MIKROSCHALTER |
| NEW.08.007 | IN063 | 1 | INTERRUTTORE A SCATTO 6 CONTATTI | SWITCH | INTERRUPTEUR | FEDERSCHALTER |
| NEW.08.008 | KIT226 | 1 | ASSEMBL.POTENZ.REGOL.PRESS.SPAZZ-F | POTENTIOMETER ASSY | ASS.POTENTIOMETRE | POTENTIOMETERZUSAMM. |
| NEW.08.009 | PY698 | 1 | CONNETTORE MASCHIO 4 POLI | CONNECTOR | CONNECTEUR | STECKER |
| NEW.08.010 | PY263 | 2 | SUPPORTO PER FUSE MORSETTIERA | TERMINAL BOARD SUPPOR | SUPPORT | HALTER |
| NEW.08.011 | PY302 | 1 | CONNETTORE 3 POLI FEMM ATT FASTON | 3-POLE CONNECTOR | CONNECTEUR | 3-POLIGE STECKERHUELS |
| NEW.08.012 | PY301 | 1 | CONNETTORE 3 POLI MASCHIO ATT FASTO | 3-POLE CONNECTOR | CONNECTEUR | 3-POLIGER KONTAKTSTIF |
| NEW.08.013 | PY460 | 2 | FILTRO ANTIDISTURBO SENZA FILI | NET | RESEAU | NETZ |
| NEW.08.014 | SL001 | 2 | SOLENOIDE 24 VOLT | SOLENOID | SOLENOIDE 24 VOLT | SOLENOID |
| NEW.08.015 | PY501 | 1 | GRUPPO ELETTRONICO 24V 60A | ELETRIC SYSTEM | GROUPE ELETRIC | ELETRICGRUPPE |
| NEW.08.016 | PY458 | 1 | INDICATORE STATO BATTERIA 36V | BATT.STATE INDICATOR | INDICATEUR | STATUSANZEIGER |
| NEW.08.017 | MO180 | 1 | MOTORE ASPIRAZIONE 24V | 24V BY-PASS VACUUM MO | MOTEUR | SAUGMOTOR 24V |
| NEW.08.018 | PY031 | 1 | SPINA MASCHIO TIPO 163/2 | MALE PLUG | CONNECTEUR | STECKER |
| NEW.08.019 | PY030 | 1 | SPINA FEMMINA TIPO 160BU | FEMALE PLUG | CONNECTEUR | STECKHUELSE |
| NEW.08.020 | PY032 | 2 | SPINA 50A | BATTERY CHARGE PLUG | CONNECTEUR | STECKER |
| NEW.08.021 | MO171 | 1 | MOTORIDUTTORE 370W 24V MBT1141S | GEARMOTOR | MOTOREDUCTEUR | GETRIEBEMOTOR |
| NEW.08.022 | MO277 | 2 | MOTORIDUTTORE 36/24V 500/375W CON M | GEAR MOTOR | MOTOREDUCTEUR | REDUZIERER |
| NEW.08.023 | PY214A | 1 | DIODO P 600G CON FILO | DYODE | DIODE | DIODE |
| NEW.08.024 | PY157 | 1 | FUSIBILE LAMELLARE 100A | FUSE LAMELL 100A | FUSIBLE | SICHERUNG |
| NEW.08.025 | PY534 | 1 | MANIGLIA PER SPINA SBE 80 A | HANDLE | POIGNEE | GRIFF |
| NEW.08.026 | PY533 | 2 | SPINA CARICABATTERIA SBE 80 A | PLUG | FICHE | BATTERIELADEGERAETSTE |
| NEW.08.027 | CW040 | 1 | CAVO POSITIVO SPI/BAT S=10mmq L=110 | CABLE | CABLE | KABEL |
| NEW.08.028 | BT001 | 4 | BATTERIA 6V 220AH TROJAN | BATTERY 6V 220AH | BATTERIE 6V J.105 217 | BATTERIE |
| NEW.08.029 | PY214 | 2 | DIODO P 600G | DIODE | DIODE | DIODE |
| NEW.08.030 | PY001 | 3 | CAVO COLLEGAM. BATTERIE S=10mmq L=3 | BATTERY CONNECT.CABLE | CABLE | BATTERIEKABEL |
| NEW.08.031 | CW037 | 1 | CAVO NEGATIVO IMP/SPI S=10mmq L=400 | CABLE | CABLE | KABEL |
| NEW.08.032 | CW038 | 1 | CAVO POSITIVO IMP/SPI S=10mmq L=400 | CABLE | CABLE | KABEL |
| NEW.08.033 | CW039 | 1 | CAVO NEGATIVO SPI/BAT S=10mmq L=110 | CABLE | CABLE | KABEL |
| NEW.08.034 | IN002 | 1 | INTERRUTTORE A CHIAVE | KEY SWITCH | INTERRUPTEUR A CLEF | SCHLUESSELSCHALTER |
| NEW.08.035 | PY640 | 1 | BUZZER SOTTOTENSIONE C/BLOCCO FORCHE | 24V BATTERY INDICATOR | BUZZER | UNTERSpannungSCHALLSI |



Mat. n.
Serial no.
Nr. de serie

Data di spedizione
Date of shipment
Date de spedition

Distributed by:

ING. O. FIORENTINI s.r.l.
“THE BEST IN FLOOR MACHINES”

FILIALI:

20132 MILANO – Fax. 02/2592779

Via Palmanova 211/a – Tel. 02/27207783 - 2564810

00155 ROMA – Fax. 06/22754075

Via Carlo Carrà 13 – Tel. 06/22754040-2275060

STABILIMENTO:

50030 PIANCALDOLI (FI) – Fax. 055/817144

Loc. Rombola – Tel. 055/8173610