



IPC Integrated Professional Cleaning

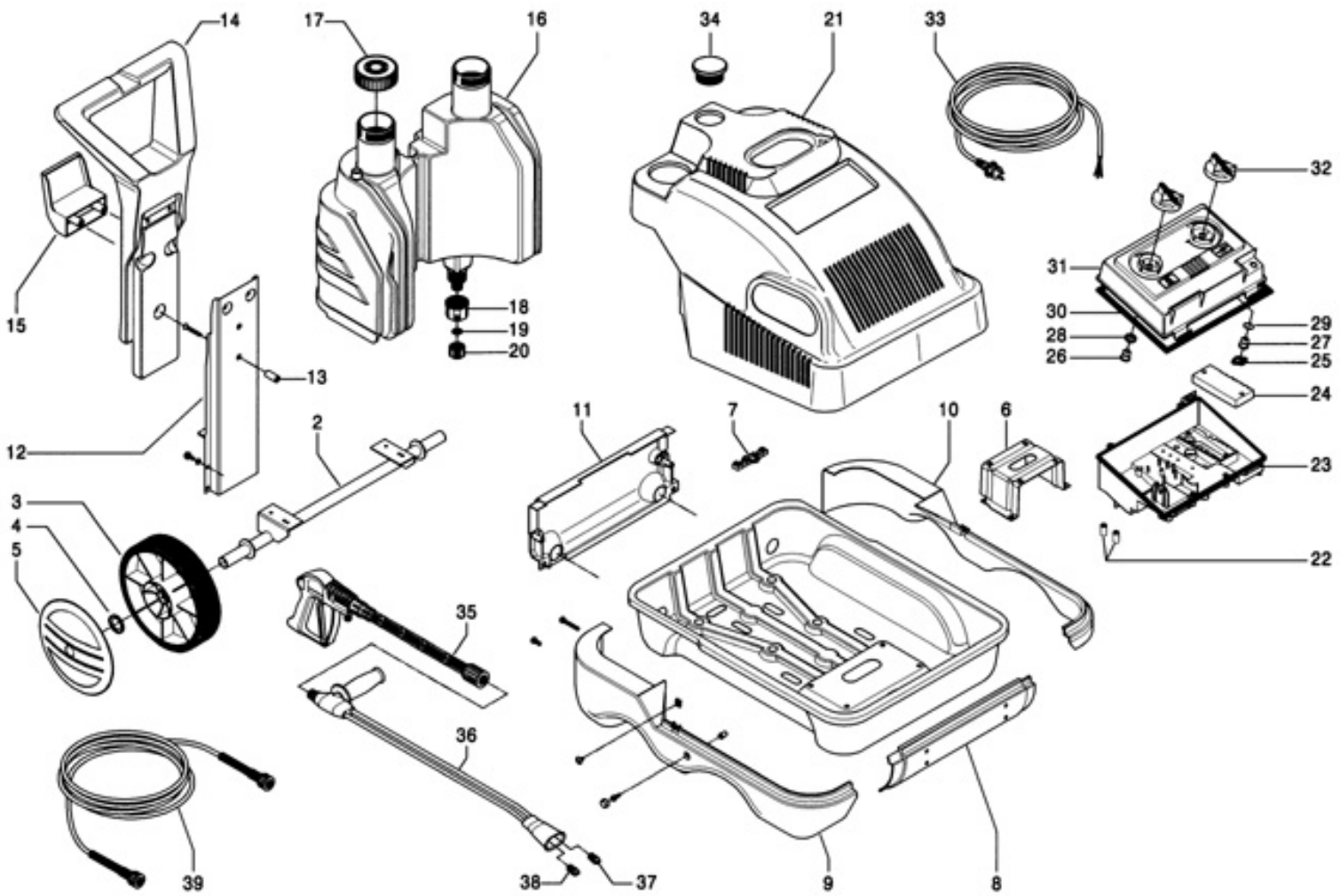
IPCPortotecnica

Spare Parts List

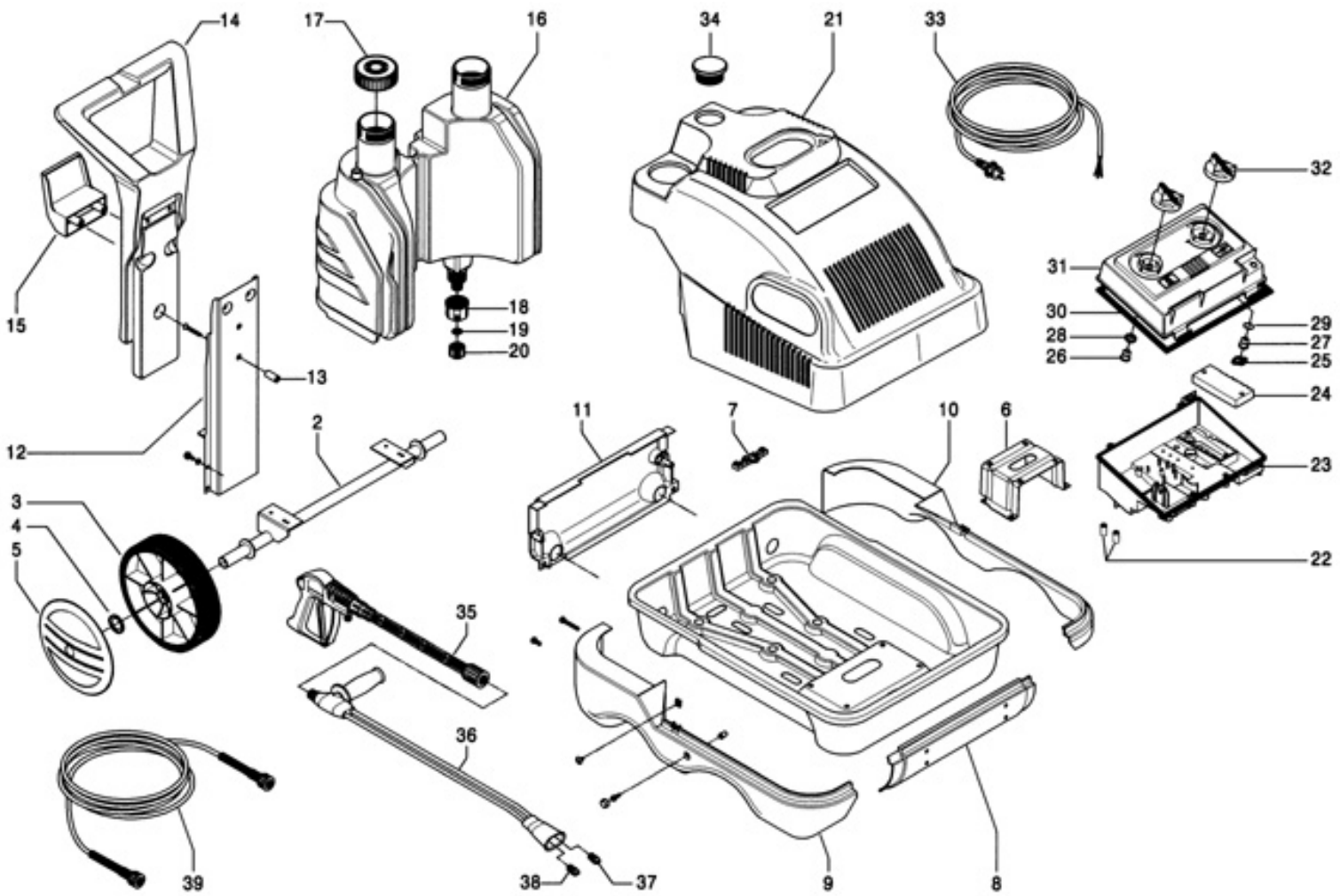
PORTOTECNICA

Ref: IDAC44018

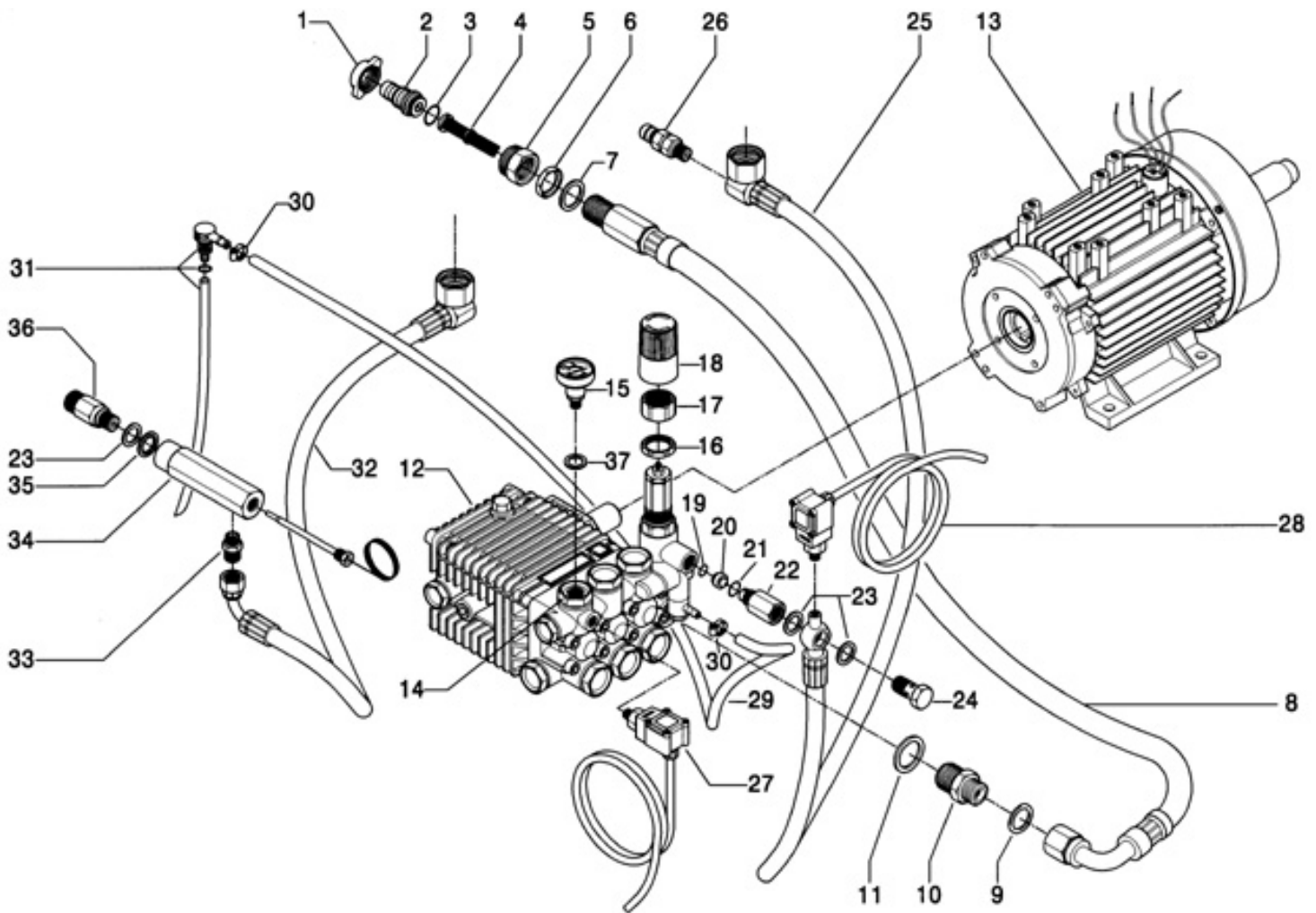
Model: IDROP UNIVERSE DS 2640T4 400/50 3-01PRT



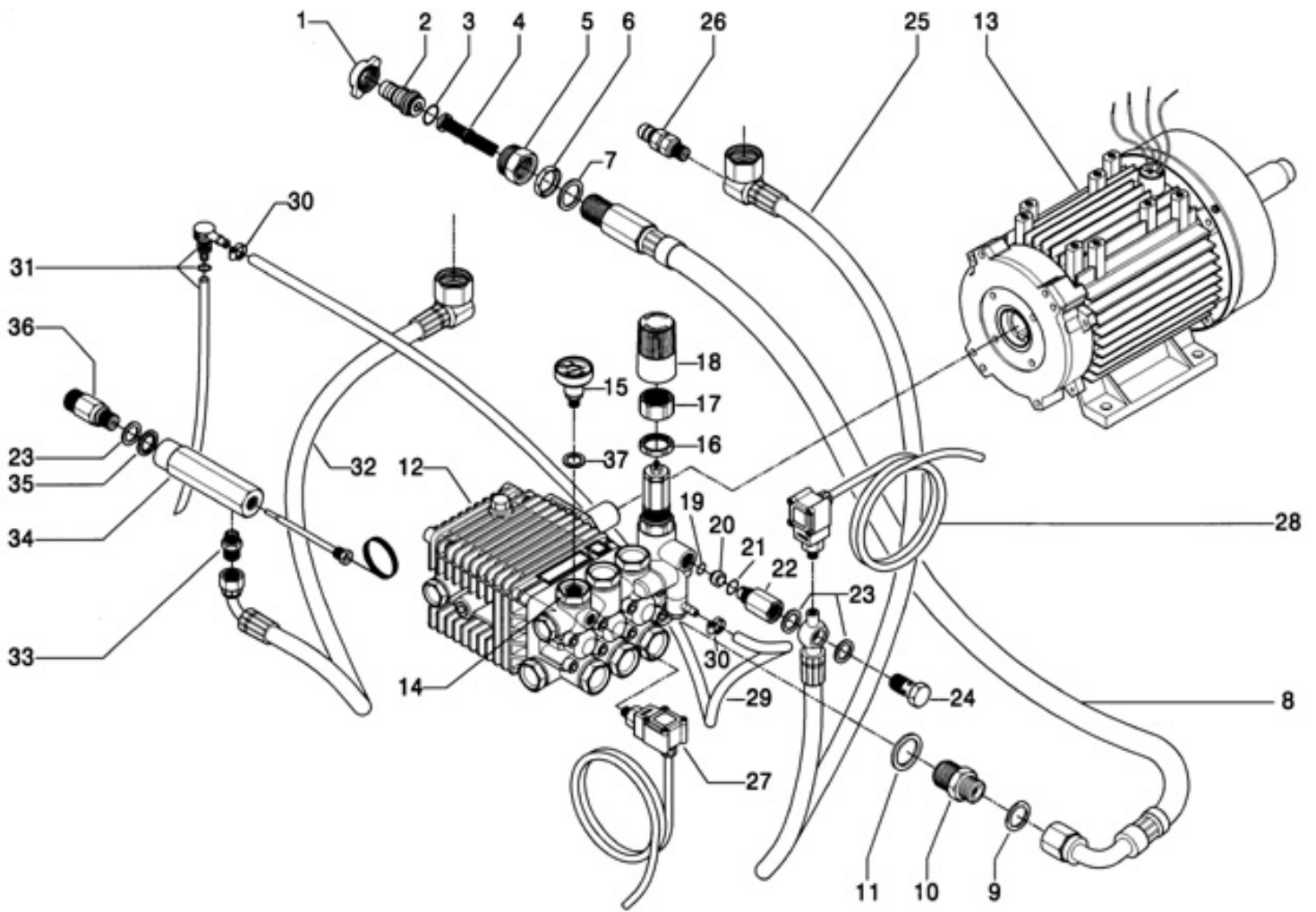
Ref.	K	Part N.	Customer Part N.	Description	Qty	Validity:		Price
						From	To	
0001		LAFN19944		CHASSIS KSM	1,00			--
0002		LAFN39505		TROLLEY AXLE SLV J.	2,00			--
0003		RTRT24320		WHEEL D.250-D.25 RT-PRT	4,00			--
0004		VTRS09813		WASHER D.25	4,00			--
0005		MPVR25910		RED WHEEL COVER. 250 RT/PRT	4,00			--
0006		LAFN29468		MOTOR PLATE SLR	1,00			--
0007		MEVR20906		CABLE FASTNER KSM	1,00			--
0008		MPVR29636		BAND SLR ANT	1,00			--
0009		MPVR29634		BAND SLR DX	1,00			--
0010		MPVR29633		BAND SLR SX	1,00			--
0011		MPVR29635		BAND SLR PST	1,00			--
0012		LAFN19954		SUPPORT KSM	1,00			--
0013		LAFN22115		SPACER 14X27 D.8 KSM	1,00			--
0014		MPVR27897		HANDLE AGN "ELK"	1,00			--
0015		LAFN20105		HOSE SUPPORT KSM	1,00			--
0016		MPVR20135		TANK KOSMIC J.	1,00			--
0017		MPVR20418		TANK CAP KSM	2,00			--
0018		MPVR20187		RING NUT M 39 X 3	2,00			--
0019		GUGO11489		GASKET D.22X1,5	2,00			--
0020		PVVR11806		DISCHARGE CAP FLL	2,00			--
0021		MPVR46174		RED COVER SLR PP C/F.LT	1,00			--
0023		LAFN20138		CONTROL BOX KSM	1,00			--
0024		MPVR20143		CABLE CLAMP COVKSM	1,00			--
0025		MPVR41903		THICKNESS TERM.IM.PA66	1,00	11/1999		--
0026		MPVR10083		TAIL PIECE OKA L=22	1,00			--
0027		MPVR23484		TAIL PIECE THERM.KSM TUV	1,00			--
0028		GUGO23079		V-SEAL RING VA0014 13.5- 15.5	1,00			--
0029		GUGO01035		O-RING D. 13.95 X 2.62 NBR 70SH	1,00			--
0030		GUGO27129		JOINT 10X3	1,05			--
0031		LAFN20139		BOX COVER KSM M.	1,00			--
0032		MPVR20190		GREY KNOB KSM	2,00			--
0033		MECB10518		CABLE H07 RNF 4X1.5 L=6.500	1,00	01/2001		--
0034		MPVR43241		CAP SLR PVC	1,00			--
0035		IPPR43065		GRIP G 2200 +PR.330 +M22 M	1,00			--
0036		LCPR12982		DOUBLE EXTENS. PD 50	1,00	06/2006		--
0037		UGLN05174		NOZZLE 1/4 5040 OT	1,00	06/2006		--
0038		UGLN02287		NOZZLE 1/4 2504	1,00			--
0038		UGLN02287		NOZZLE 1/4 2504	1,00		06/2006	--
0038		UGLN49991		NOZZLE LECH 1/4 2504	1,00	06/2006		--



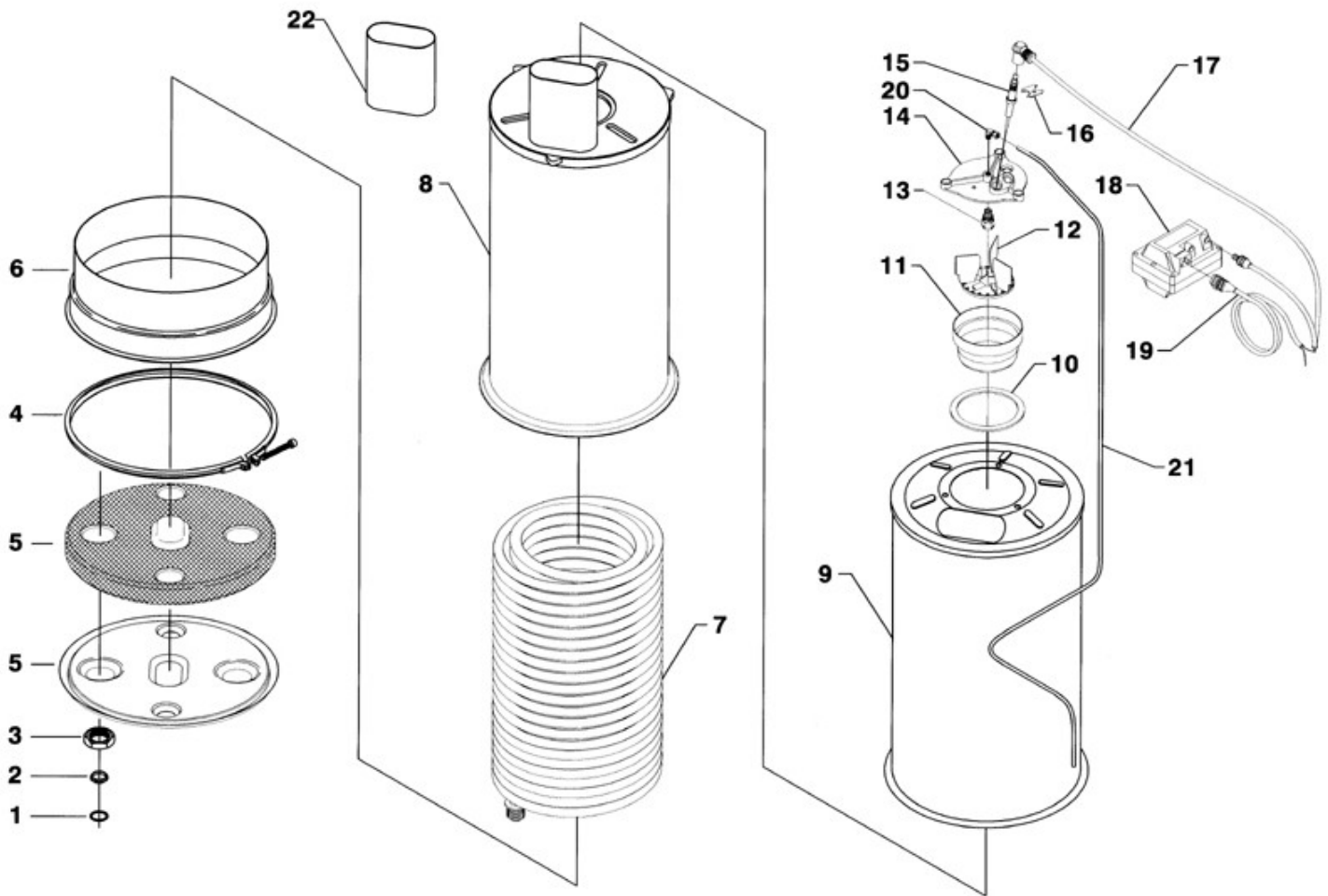
Ref. K	Part N.	Customer Part N.	Description	Qty	Validity:		Price
					From	To	
0039	TBAP25324		H.P. HOSE R1 MT 10 5/16" C/2 IRV OT	1,00			--
9999	KTRI16996		KIT P 33- 1	1,00	01/2003		--



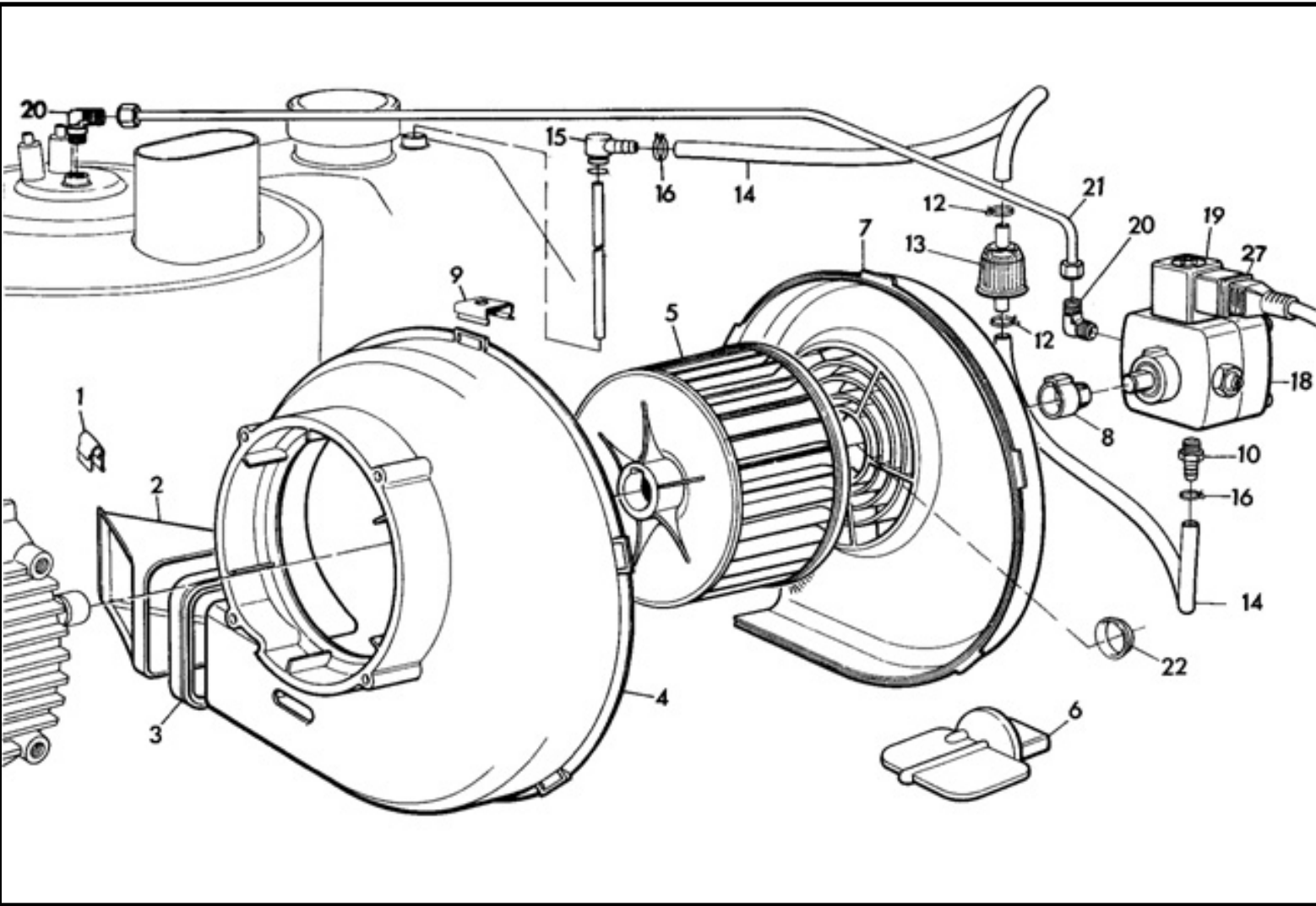
Ref.	K	Part N.	Customer Part N.	Description	Qty	Validity: From To	Price
0001		RCDS09316		CONNECTION G. 3/4	1,00		--
0002		RCDS08965		HOSE FITTING OTT.	1,00		--
0003		GUGO01054		O-RING D. 15.08 X 2.62 NBR 70SH	1,00		--
0004		FTAC30214		FILTER D.15X67	1,00		--
0005		RCDS28900		SLEEVE 3/4-1/2 M/F MTH	1,00		--
0006		RCDS21223		RING NUT 1/2" X 4 NIK	1,00		11/2003
0006		RCDS49875		RING NUT 1/2"X 6 CH.27 OT.	1,00	12/2003	--
0007		VTRS00549		WASHER D.21,5X27X1.5 (1/2) RM	1,00		--
0008		TBBP30410		L.P. HOSE L=940 1/2 0° -90°F 2.VRS	1,00		--
0009		GUGO36764		GASKET D. 11- 18.5X 2 80SH	1,00		--
0010		RCDS19871		NIPPLE 1/2 - 1/2 D.10	1,00		--
0011		GUGO01032		O-RING D. 17.13 X 2.62 NBR 70SH	1,00		--
0012		PPAP42434		PUMP WW1513 DX N T.INT.I.2,0	1,00		--
0013		MOTR43205		3PH MOTOR SLR/2 HP5.5 400-50 2P IPS	1,00		05/2005
0013		MOTR88936		3PH MOTOR SLR/2 HP5.5 400-50 2P IPE	1,00	05/2005	--
0014		RCDS43252		CAP M24X1,5 + 1/8F WW1509 OT	1,00		--
0015		MNMN37537		PRESSURE GAUGE 0-300 G1/8M "R" D.40	1,00		--
0016		RCDS21788		RING NUT M 28 X 1.5 L=16	1,00		--
0017		VTDD21787		NUT M28X1.5 L=5	1,00		--
0018		PVVR22163		KNOB L=60 V.INT.	1,00		--
0019		GUGO03501		O-RING D. 9.92 X 2.62 VIT 70SH	1,00		--
0020		UGEI09840		NOZZLE D. 2.0 OT58	1,00		--
0021		GUGO03507		O-RING D. 13.95 X 2.62 VIT 70SH	1,00		--
0022		RCDS19348		CONNECTOR 3/8M-F D.3 L=45	1,00		--
0023		VTRS00548		WASHER D.17,5X22X1,5 (3/8)RM	3,00		--
0024		RCDS01371		SCREW G 3/8 A.P.	1,00		--
0025		TBAP43242		HOSE-FITTING 3/ 8 R2 L=560 3/8OC.-PM26	1,00		--
0026		VVSC39719		VALVE MG 2000 G1/4M 150B MIGNON	1,00		12/2004
0026		VVSC47427		VALVE MG 1000 G1/4M-M D.8 250B	1,00	12/2004	--
0027		MEPF39902		PRESSURE SWITCHMTM 1/4M NA/NC 25B. MICRO	1,00		--
0028		MEPF39741		PRESSURE SWITCHMTM 1/8M NA/NC 25B. MICRO	1,00		--
0029		TBBP04917		L.P. HOSE D. 6- 9	1,00		--
0030		FSVR00427		CLAMP D. 12 CLIC 66-110	2,00		--
0031		RCDS20136		SUCTION L= 355 C.	1,00		--
0032		TBAP20184		HOSE-FITTING 3/ 8 R2 L=320 3/8F90-PM26	1,00		--
0033		RCDS20186		NIPPLE 3/8 - 14X1.5 SV	1,00		--
0034		RCDS19322		BLOC BODY 3/8F-M14	1,00		--
0035		VTRS22537		WASHER D. 16	1,00		--
0036		RCDS13012		NIPPLE M22-3/8 D. 7.5	1,00		--



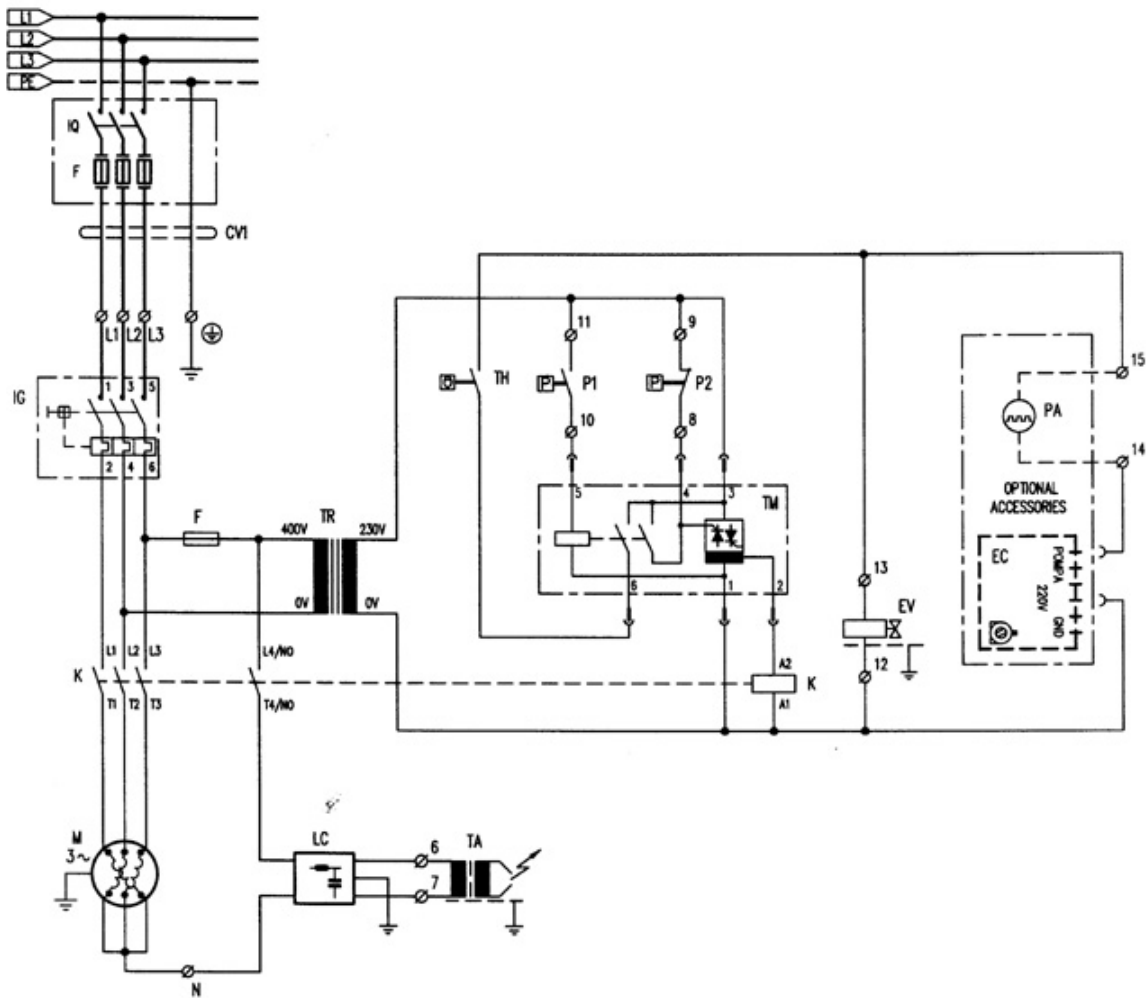
Ref. K	Part N.	Customer Part N.	Description	Qty	Validity:		Price
					From	To	
0037	VTRS40960		WASHER D.13.5X19 X4 AL.	1,00			--



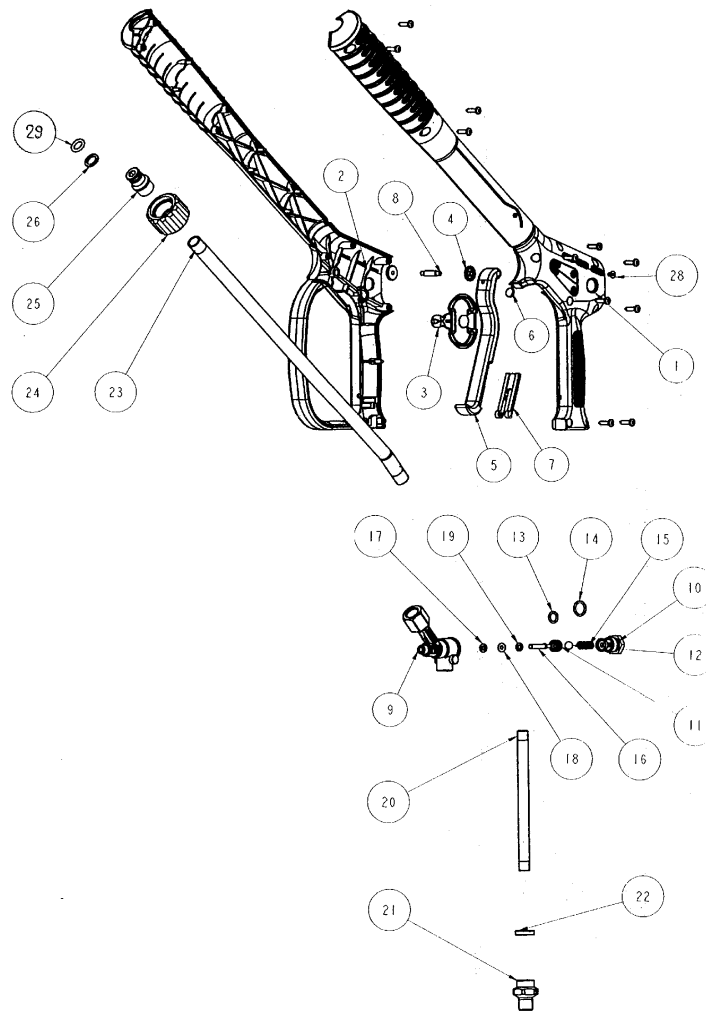
Ref.	K	Part N.	Customer Part N.	Description	Qty	Validity:		Price
						From	To	
0001		GUGO21222		O-RING D. 15.54 X 2.62 VIT 80SH	2,00			--
0002		GUVR21021		ANTI-EXTR.RING D. 21 X17 TEF.	2,00			--
0003		RCDS21120		RING NUT M 26 X 1,5	2,00			--
0004		LAFN20108		RING D.298 KSM	1,00			--
0005		ITTE48373		BOTTOM KSM C.TE	1,00	04/2003		--
0005		LAFN20109		BOILER BOTTOM KSM D.280	1,00		04/2003	--
0005		LAFN48448		BOILER BOTTOM KSM 2V. ZN	1,00	04/2003		--
0006		GUVR21756		FIB.GLASS CORD D. 12 GR/M 25	0,85		04/2003	--
0006		LAFN48368		BAND KSM 2V. INX	1,00	04/2003		--
0007		LAFN29731		DOUBLE COIL M26X1.5 SLR 26M	1,00			--
0008		LAFN29735		INT. CYLINDER SLR INX	1,00			--
0009		LAFN29733		EXT. CYLINDER SLR INX	1,00			--
0010		GUVR25775		GASKET D. 105/88 X 3	1,00			--
0011		LAFN29774		NOSEPIECE SLR	1,00			--
0012		LAFN30295		BAFFLE SLR	1,00			--
0013		UGBR18630		BURNER NOZZLE 0.75 45 A	1,00			--
0014		MFVR19964		ELECTR.HOLDER KSM	1,00		01/2005	--
0014		MFVR88612		ELECTR.HOLDER KSM 1/8CN.	1,00	01/2005		--
0015		MECA18232		ELECTRODE L=101.5 KSM	2,00			--
0016		LAFN20123		PLATE KSM INX	1,00			--
0017		MECV35336		CABLE A.T. 9,8-23KOHM/M L= 750P	2,00	07/1999		--
0018		METR34464		TRANSFORMER 230V-50HZ 2X4000V SP4 CM	1,00			--
0019		MECB34463		CABLE BT L=800 SP.	1,00			--
0020		RCVR08954		ELBOW 1/8"-4 B5	1,00			--
0021		TBCO29747		DIESEL HOSE D. 4 SLR	1,00			--



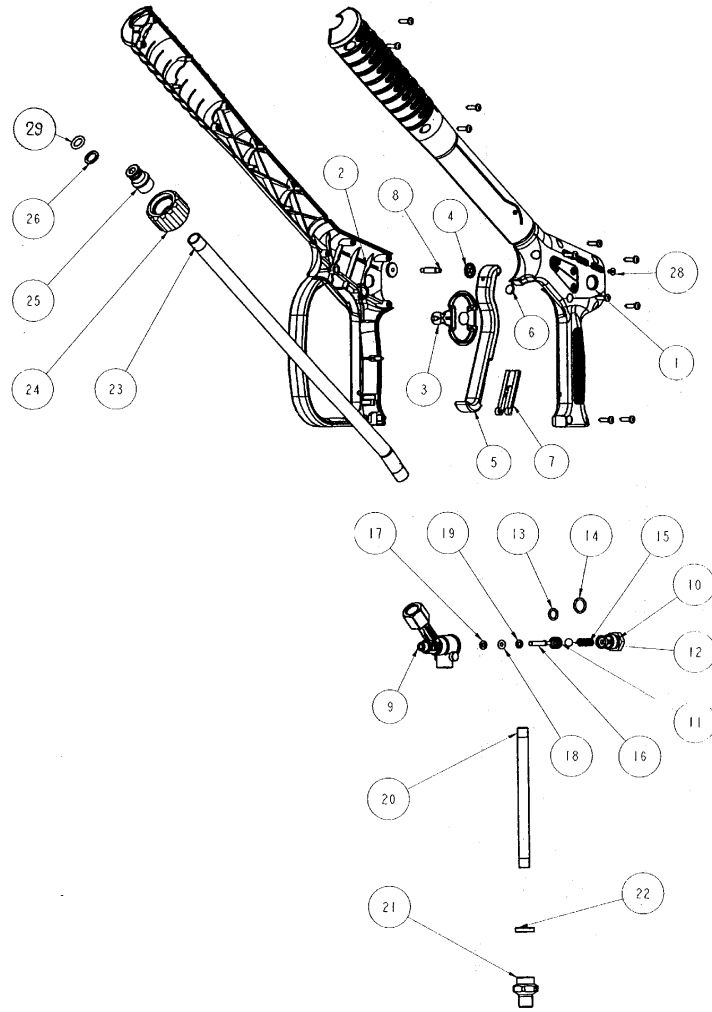
Ref. K	Part N.	Customer Part N.	Description	Qty	Validity:		Price
					From	To	
0001	MPVR21415		CLIP KSM	2,00			--
0002	MPVR28287		CONVEYOR MTH	1,00			--
0003	GUGO20124		GASKET KSM	1,00			--
0004	MPVR20125		SCROLL BODY KSM PP	1,00			--
0005	VEVR29207		IMPELLER SLR D.137-80 D.19 SX	1,00			--
0006	MPVR20129		BUTTERFLY VALVEKSM PP	1,00			--
0007	MPVR20126		VENTILATOR COV.KSM PP	1,00			--
0008	FGGT20133		JOINT KSM	1,00		06/2006	--
0008	FGGT49223		JOINT KSM/P190 2V. PP	1,00	06/2006		--
0009	VTVR20127		CLIP KSM	5,00			--
0010	RCDS00626		HOSE FITTING 1/4 M D. 5- 7	1,00	12/2000		--
0012	FSVR11197		CLAMP D.I. 11 13315	2,00			--
0013	FTCO10912		FILTER D.7	1,00			--
0014	TBCO06945		L.P. HOSE D. 6-12 10BAR	0,30			--
0016	FSVR00427		CLAMP D. 12 CLIC 66-110	2,00			--
0017	MECB43707		CABLE DNF L=1300	1,00	10/2000		--
0018	PPGS43706		FUEL PUMP DNF BFPC21R3L1	1,00	12/2000		--
0019	MEBE43705		COIL DNF 220-50	1,00	10/2000		--
0020	RCVR08954		ELBOW 1/8"-4 B5	1,00			--
0021	TBCO29747		DIESEL HOSE D. 4 SLR	1,00			--



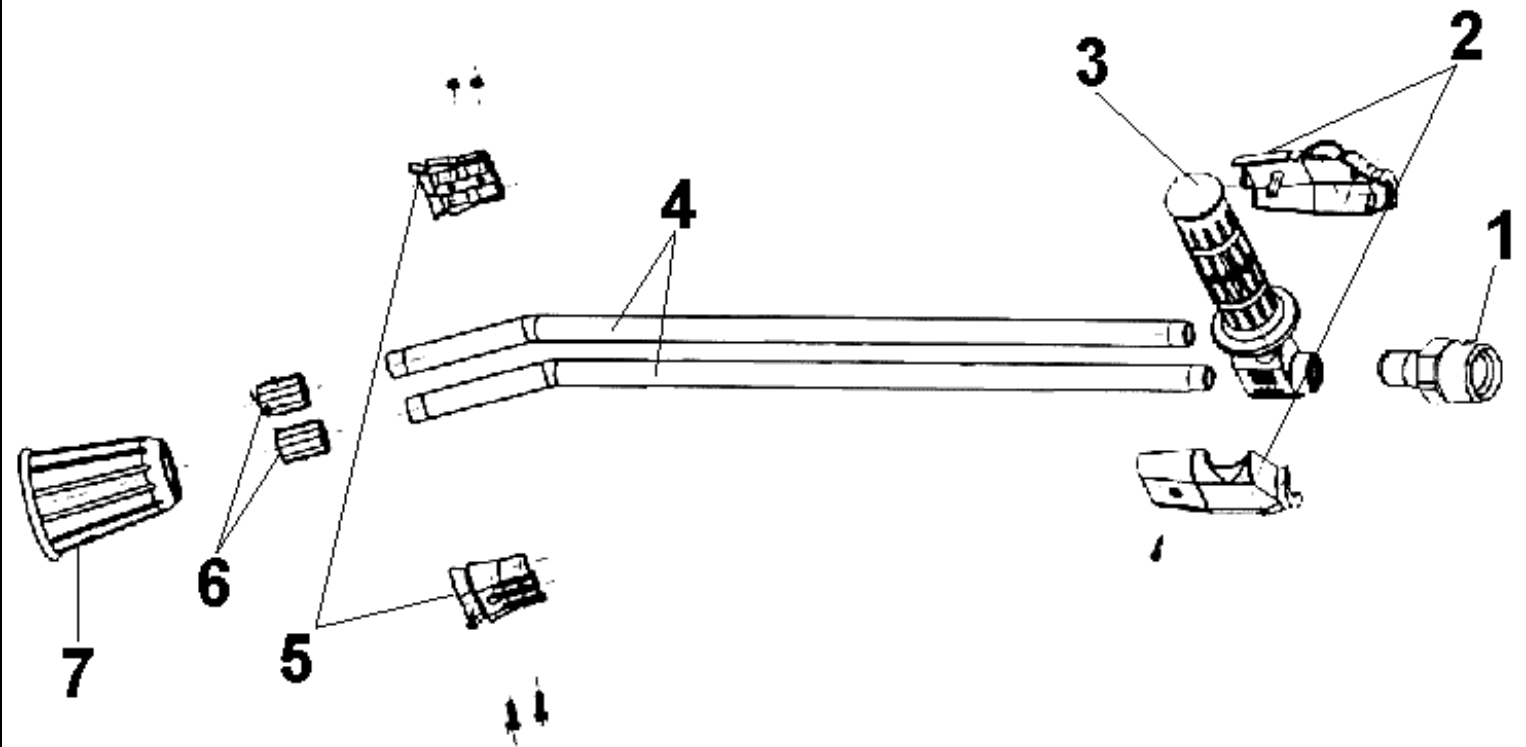
Ref. K	Part N.	Customer Part N.	Description	Qty	Validity:		Price
					From	To	
F	MEVR00237		FUSE 5X20 3,15A	1,00			--
K	METT43231		CONTACTOR SIE 3RT 1016 1AP01 230V	1,00			--
M	MOTR43205		3PH MOTOR SLR/2 HP5.5 400-50 2P IPS	1,00			--
EV	MEBE43705		COIL DNF 220-50	1,00			--
IG	MECI09350		SWITCH O.K.N. 6.3-10 A	1,00			--
LC	MECE34831		FILTER LC F.AH.DA.3100ZF 6.5A	1,00			--
P1	MEPF39741		PRESSURE SWITCHMTM 1/8M NA/NC 25B. MICRO	1,00			--
P2	MEPF39902		PRESSURE SWITCHMTM 1/4M NA/NC 25B. MICRO	1,00			--
TA	METR34464		TRANSFORMER 230V-50HZ 2X4000V SP4 CM	1,00			--
TH	METK19354		THERMOSTAT 0-150° L=1200	1,00			--
TM	METY42780		TIMER THV/2+RL.15-250V 5/60 30S	1,00			--
TR	METR43881		TRANSFORMER 35VA 400/230V 50/60HZ	1,00	01/2001		--
CV1	MECB10518		CABLE H07 RNF 4X1.5 L=6.500	1,00			--



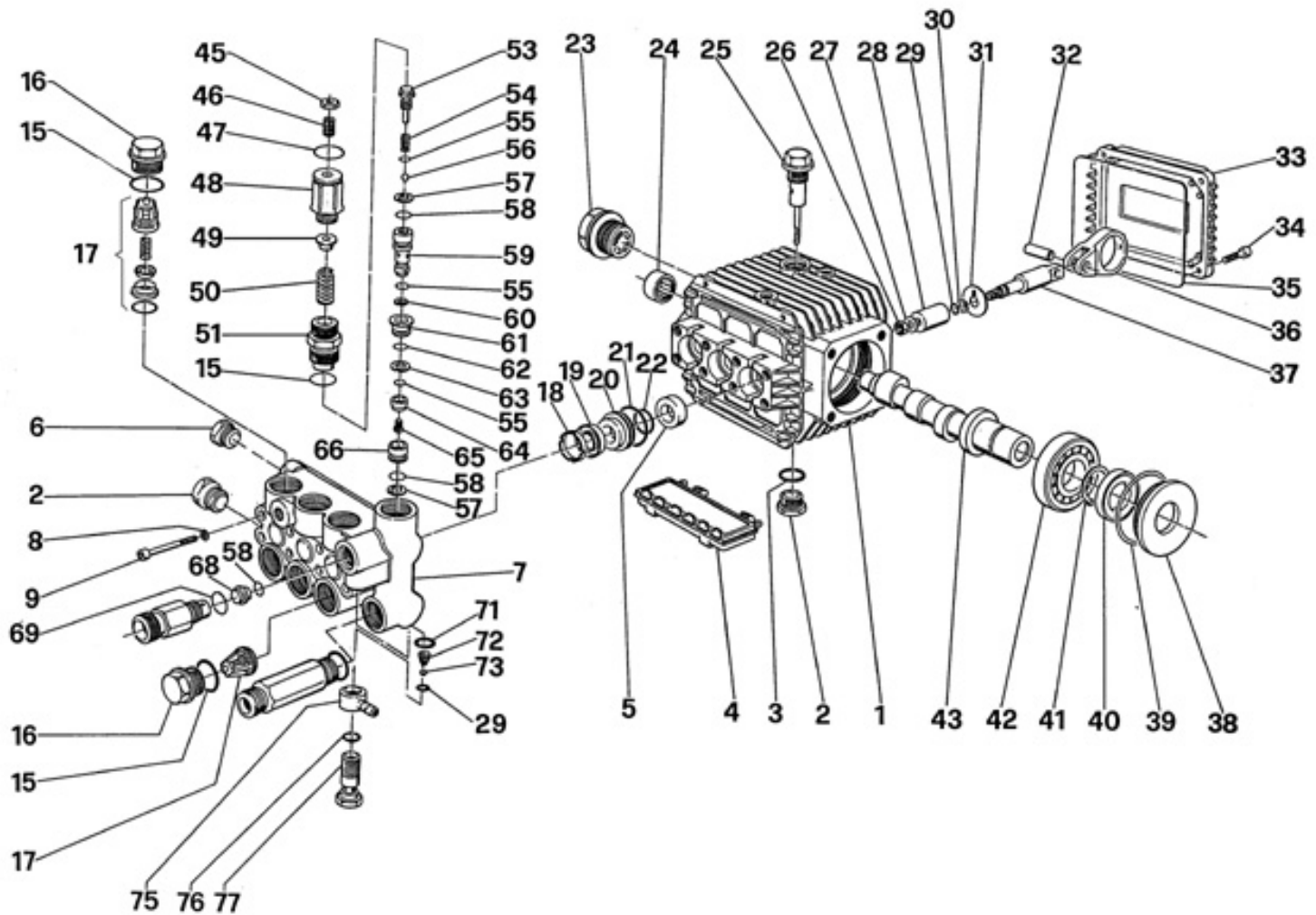
Ref. K	Part N.	Customer Part N.	Description	Qty	Validity: From To	Price
0001	MPVR43269		HALF BEARING G2200 SX PRT	1,00		--
0002	MPVR43268		HALF BEARING G2200 DX PRT	1,00		--
0003	MPVR43270		CAP G2200	1,00		--
0004	VTRS41562		WASHER AURA 200	2,00		--
0005	MPVR41568		TRIGGER AURA 200	1,00		--
0006	PVVR41567		PAWL AURA 200 INX	1,00		--
0007	MPVR41569		SAFETY-DEVICE AURA 200	1,00		--
0008	VTVR41566		PLUG AURA 200	1,00		--
0009	PVVR41559		GUN BODY AURA G1/4 L.18	1,00		--
0010	E PVVR43275		CAP M14X1 AURA 200 2.V	1,00		--
0011	E PVVR43274		BALL SEAT AURA 200 2.V	1,00		--
0012	E SFVR12904		BALL D. 9/32 W1 INX	1,00		--
0013	E GUGO63426		O-RING D. 7.66 X 1.78 NBR 90SH	1,00		--
0014	E GUGO19194		O-RING D. 11.11 X 1.78 NBR 70SH	1,00		--
0015	E MLML41571		SPRING D. 7 X21 D.1.2	1,00		--
0016	S PVVR43264		SMALL PISTON AURA 200 INX L=30 2V.	1,00		--
0017	S GUVR41557		ANTI-EXTR.RING D. 4 X 7.8X1.2	1,00		--
0018	S GUGO01201		O-RING D. 3.6 X 2.4 -NBR 70SH	1,00		--
0019	S VTRS43265		WASHER OT AURA	1,00		--
0020	PVVR43272		TUBE G 1/8" M/M L.133	1,00		--
0021	RCIN41561		MALE COUPLING M 22 -1/8F	1,00		--
0022	MPVR43271		WASHER 1/8" G2200	1,00		--
0023	LCPR43273		TUBE 1/ 4 L=384 0° 1/4 M-M INX	1,00		--
0024	PVVR43276		CONNECTION M22X1,5 IRV	1,00		--
0025	RCIN43267		GUDGEON G 1/4 F IRV	1,00		--
0026	GUVR43266		ANTI-EXTR.RING SR 110	1,00		--
0028	PVVR42233		CAP D. 3 PLS YLW.	1,00		--
0029	GUGO28927		O-RING D. 9.13 X 2.62 NBR 70SH	1,00		--



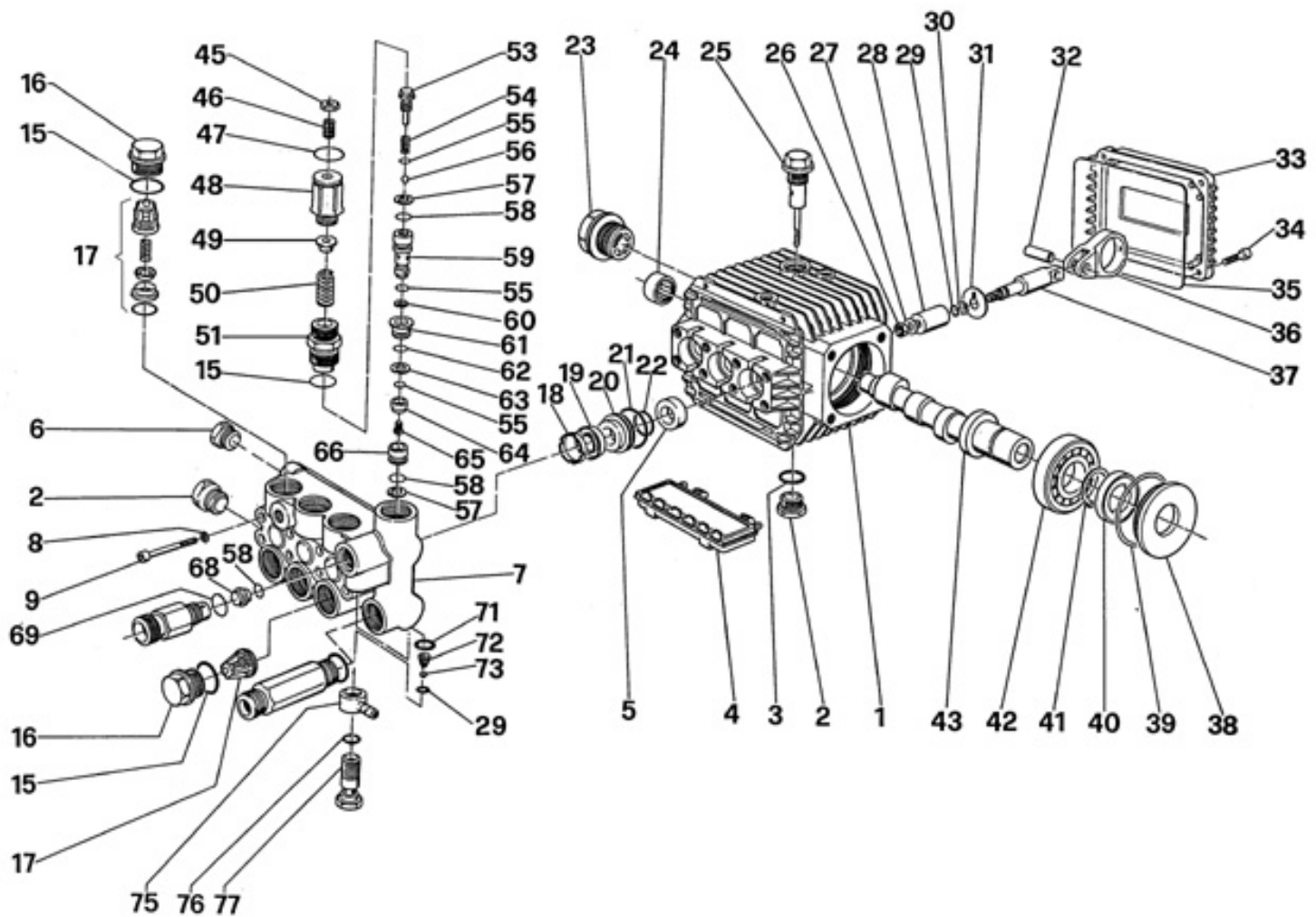
Ref. Part N.	Cust. Part N.	Description	Reference	Price
KTRI40835	KIT P	26- 15 AURA 200	0011 0012 0013 0014 0015 0016 0017 0018 0019	--
KTRI47792	KIT P	26- 20 AURA 200	0010 0011 0012 0013 0014 0015	--



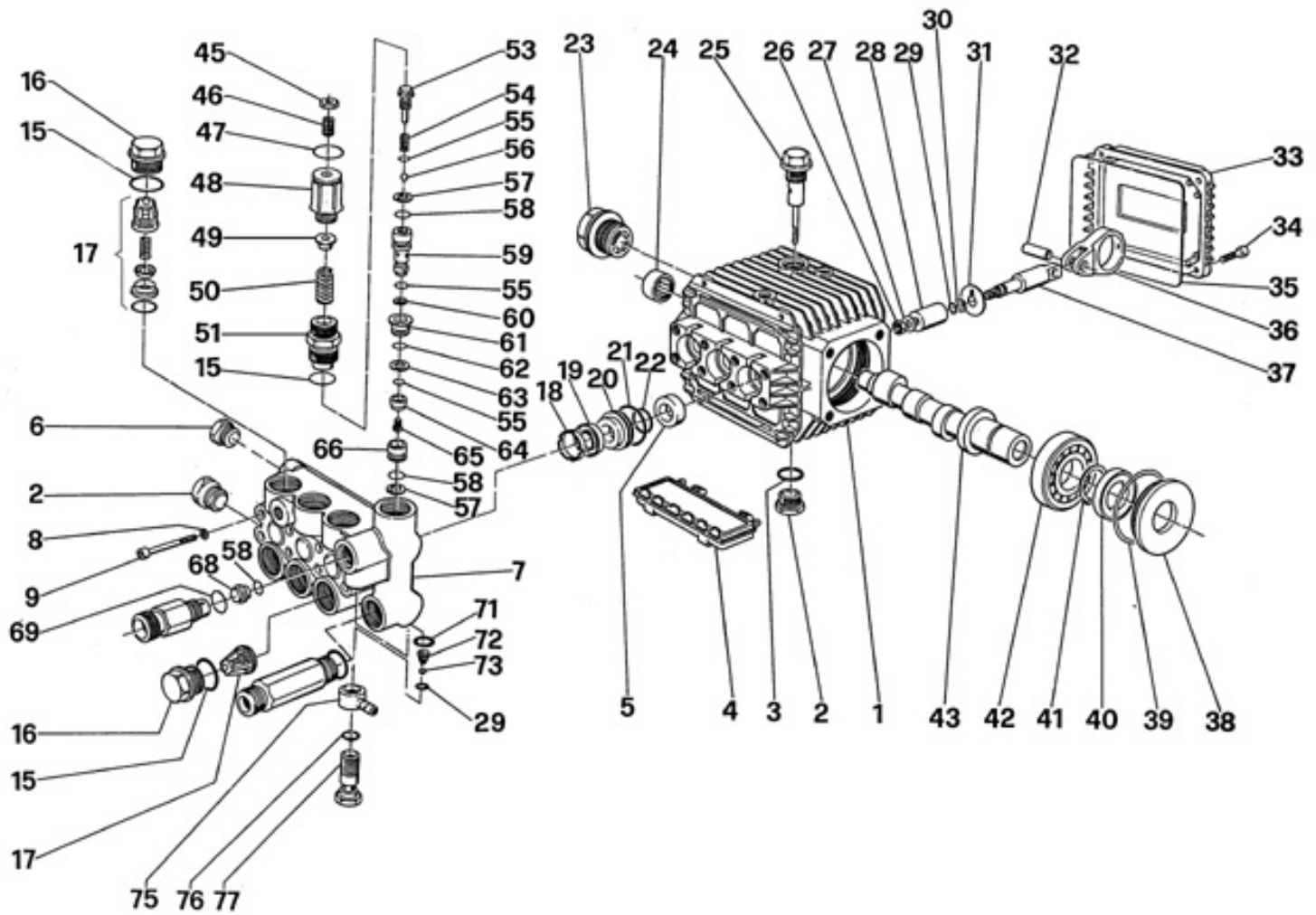
Ref. K	Part N.	Customer Part N.	Description	Qty	Validity:		Price
					From	To	
0001	PVVR45296		COUPLING G 1/4M -M22 M	1,00			--
0002	MPVR45214		PROTECTION TB.1/4 MTM	1,00			--
0003	RCGR45737		TAP 1/4 F LD MTM	1,00			--
0004	LCPR45738		TUBE 1/8 L=500 INOX MTM	2,00			--
0005	MPVR45001		SHELL LD MTM	1,00			--
0006	RCVR45741		NOZZLE HOLDER 1/4-1/8 F MTM	2,00			--
0007	PVVR43810		PROTECTION L.D. MTM	1,00			--



Ref.	K	Part N.	Customer Part N.	Description	Qty	Validity:		Price
						From	To	
0001		MFVR12641		PUMP CRANKCASE WW 90B - 93B	1,00			--
0002		RCDS01090		CAP 3/8X13 M WW90	2,00			--
0003		GUGO01035		O-RING D. 13.95 X 2.62 NBR 70SH	1,00			--
0004		PVVR43778		PROTECTION WW S.51	1,00			--
0005	S	GUGO09690		OIL SEAL 15X 24X 5 NBR70	3,00			--
0006		RCDS01088		CAP 1/4X 9 M WW90	1,00			--
0007		MFVR18931		HEAD WW 90 OT. V.INT. D.15	1,00			--
0008		VTRS01077		WASHER D. 6,4X10X0,7	12,00			--
0009		VTVT06236		SCREW TCEI 6X40 UNI5931	8,00			--
0015	S	GUGO01033		O-RING D. 20.24 X 2.62 NBR 90SH	7,00			--
0016		RCDS43779		CAP M 24X1,5X11,2 WW	6,00			--
0017	S	VVAM28467		VALVE UNIT "44" WW136-186	6,00			--
0018	S	PVVR09327		HEAD RING D. 15	3,00			--
0019	S	GUVR09324		PACKING D. 15 TURBO	3,00			--
0020	S	PVVR09687		PACKING RETAIN.D. 15 BJ	3,00			--
0021	S	GUGO03506		O-RING D. 25.12 X 1.78 NBR 70SH	3,00			--
0022	S	GUGO01054		O-RING D. 15.08 X 2.62 NBR 70SH	3,00			--
0023		PVVR01083		OIL INDICATOR G 3/4 W70-151	1,00			--
0024		CUVR09639		ROLLER BEARING BK 1516V	1,00			--
0025		PVVR01089		OIL DIPSTICK W 70	1,00			--
0026		VTDD04284		NUT M8X1,25 X13X5 S2 INX	3,00			--
0027		VTRS09321		WASHER D. 8X13X1	3,00		07/2002	--
0027		VTRS46027		WASHER D. 8 C/CLL.	3,00	07/2002		--
0028		PIVR09641		PISTON D.15 BJ	3,00			--
0029		GUGO01055		O-RING D. 5.28 X 1.78 VIT 70SH	4,00			--
0030		GUVR10257		ANTI-EXTR.RING WW161	3,00			--
0031		VTRS09320		WASHER D. 9X23X0,5	3,00			--
0032		PVVR09646		GUDGEON D. 8X24.5 BJ	3,00			--
0033		MFVR09643		CRANKCASE COVER BJ	1,00			--
0034		VTVT01115		SCREW TCEI 6X18	4,00			--
0035		GUGO27617		O-RING D. 88.57 X 2.62 NBR 70SH	1,00			--
0036		BLVR43780		CONNECTING ROD WW S.51	3,00			--
0037		PVVR09642		PISTON GUIDE BJ	3,00			--
0038		MFVR03565		SPACER W 70	1,00			--
0039		GUGO01040		O-RING D. 55.56 X 3.53 NBR 70SH	1,00			--
0040		GUGO01002		OIL SEAL 25X 42X 7 NBR70	1,00			--
0041		VTAE09655		CIRCLIP D. 25 UNI 7435	1,00			--
0042		CUVR09654		BALL BEARING 6305	1,00			--
0043		ALMO09648		ECC.SHAFT WW "N" C.9.4 D.24	1,00			--



Ref.	K	Part N.	Customer Part N.	Description	Qty	Validity:		Price
						From	To	
0045		VTDD09708		NUT M 8 UNI 5589	1,00			--
0046		VTVT20196		SCREW EI-ST 8X20 UNI5923	1,00			--
0047		GUGO01057		O-RING D. 20.35 X 1.78 NBR 70SH	1,00			--
0048		PVVR18672		REGISTER COLT	1,00			--
0049		PVVR11656		SPRING PLATE W1	1,00			--
0050		MLML11655		SPRING D.15X35	1,00			--
0051	S	PVVR18671		BUSHING COLT	1,00			--
0053	S	PVVR18670		LIMIT SWITCH COLT	1,00			--
0054	S	MLML20195		SPRING D. 6.1X19	1,00			--
0055	S	GUGO03497		O-RING D. 6.75 X 1.78 VIT 80SH	3,00			--
0056	S	SFVR12904		BALL D. 9/32 W1 INX	1,00			--
0057	S	GUVR11651		ANTI-EXTR.RING D. 10.6X15X2	2,00			--
0058	S	GUGO03501		O-RING D. 9.92 X 2.62 VIT 70SH	3,00			--
0059	S	PVVR18669		CONTROL PISTON COLT	1,00			--
0060	S	GUVR04309		ANTI-EXTR.RING HM	2,00			--
0061	S	PVVR11653		VALVE GUIDE CONTROL SET W1	2,00			--
0062	S	GUGO11652		O-RING D. 12.42 X 1.78 NBR 70SH	1,00			--
0063	S	GUVR11650		ANTI-EXTR.RING CONTROL SET W1	1,00			--
0064	S	PVVR18668		VALVE CLT	1,00			--
0065	S	VTVT18667		SCREW M 5X0,8X7,5	1,00			--
0066	S	PVVR12887		VALVE SEAT CONTROL SET W1	1,00			--
0068		UGEI09840		NOZZLE D. 2.0 OT58	1,00			--
0069		GUGO03507		O-RING D. 13.95 X 2.62 VIT 70SH	1,00			--
0071		GUGO03496		O-RING D. 9.25 X 1.78 NBR 70SH	1,00			--
0072		MLML04264		SPRING D. 4.3X11X7.3 KR	1,00			--
0073		SFVR04274		BALL D. 7/32	1,00			--
0075		RCDS20865		CONNECTOR O. D.14 - 3-6	1,00			--
0076		GUGO01036		O-RING D. 10.82 X 1.78 NBR 70SH	1,00			--
0077		PVVR09709		VALVE SEAT KR	1,00			--



Ref. Part N.	Cust. Part N.	Description	Reference	Price
KTRI18651	KIT P	83	0005	--
KTRI18654	KIT P	15- 86	0020 0021 0022	--
KTRI18655	KIT P	102	0015 0051 0053 0054 0055 0056 0057 0058 0059 0060 0061 0062 0063 0064 0065 0066	--
KTRI21664	KIT P	96	0018 0019 0020 0021 0022	--
KTRI21665	KIT P	97	0018 0019 0021 0022	--
KTRI28508	KIT P	15-123	0017	--